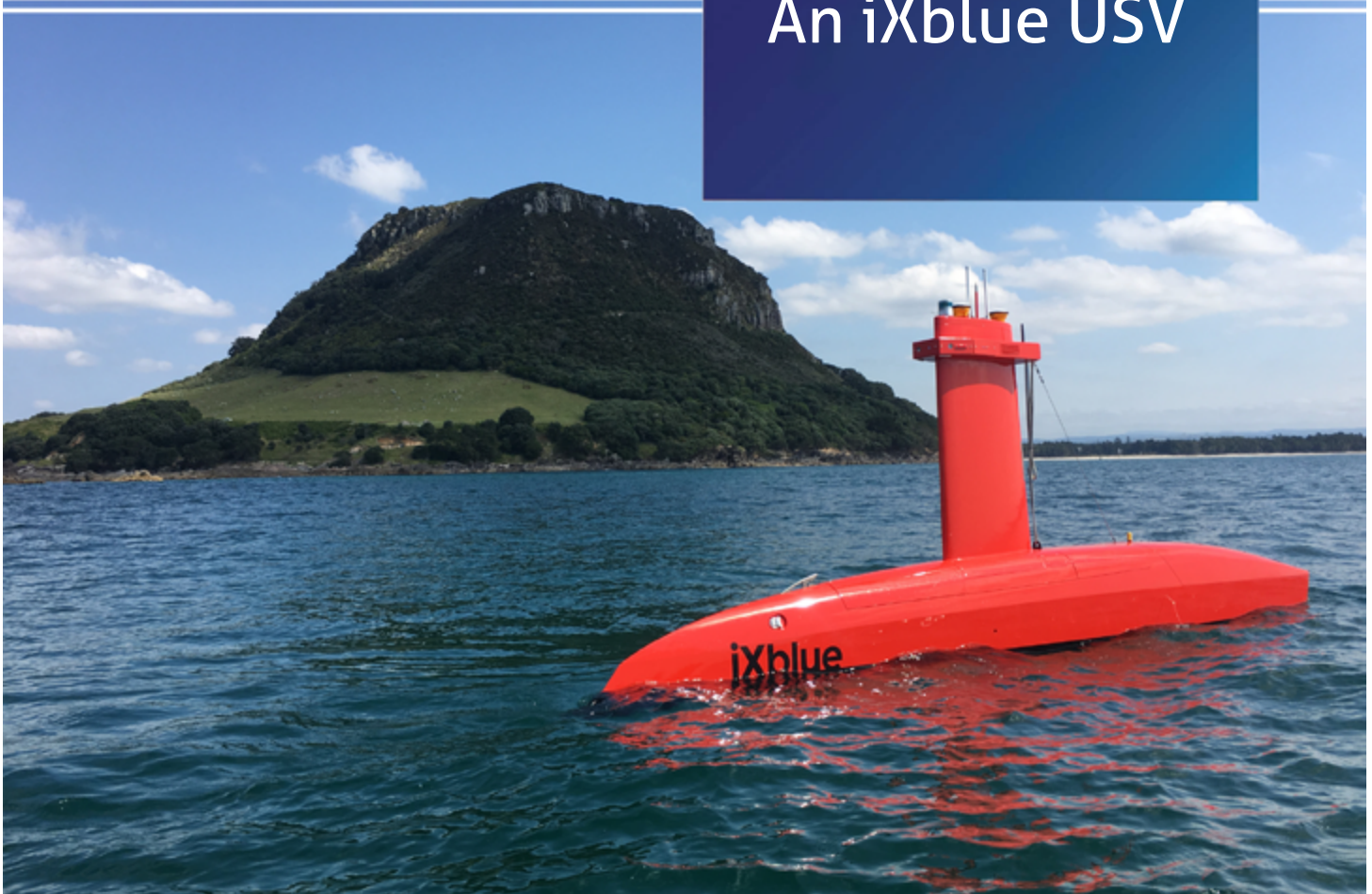




**Unique Group**

# DriX

An iXblue USV



**A new internationally patented 8-metre Autonomous Surface Vessel that expands your working domain and saves your vessel time.**

DriX has been designed with the absence of Human factor as a fundamental, from launch and recovery to mission's execution. Fast, enduring, safe, high seas going and sea proven, it shows outstanding seakeeping capabilities and takes the industry of surface drones several steps further.

## Highlights Include:

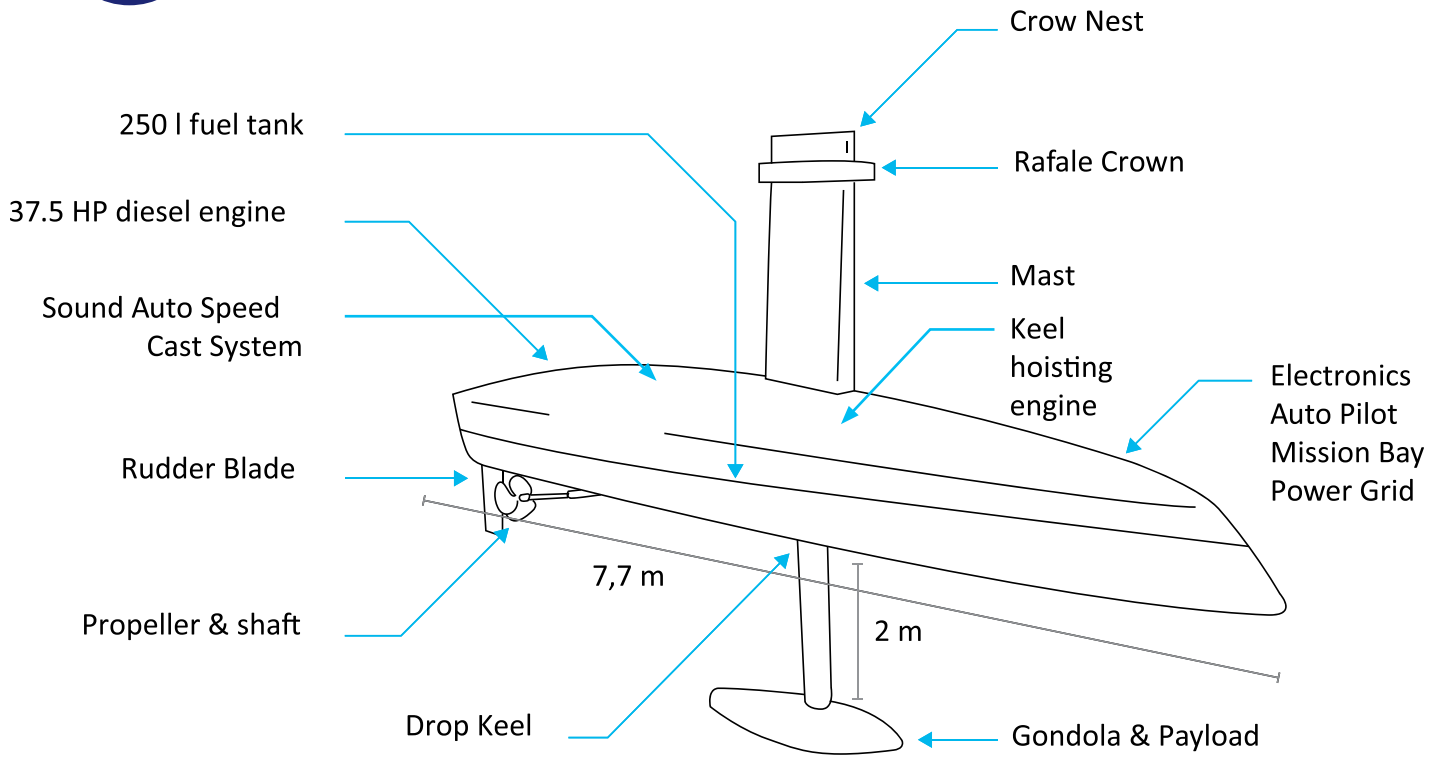
- Composite construction methods
- Kevlar reinforced
- Moulding process
- Customisable payloads
- Data collection at sea simplified
- Design optimised for both coastal and offshore missions
- Highly efficient hull shape

## Applications Include:

- Geophysical & Hydrographic Surveys
- Coastal & Harbour monitoring
- Subsea positioning
- AUV/ROV tracking
- Naval defence operations



# Unique Group



Technical Specifications	
Displacement	1.4 tons
Beam	0.7m
Height from bottom of gondola to top of mast (including antennas):	
Drop keel extended	4.76m
Drop keel retracted	3.66m
Endurance	Upto 7 days
Control	- Fully autonomous - Semi-autonomous - Direct remote control
Communications	Line of sight (WiFi, radio, contact us for SATCOMS)
Gondola	Tailor made for your equipment

### Types of Payloads

- USBL
- MBES
- Towed array light sonar
- Side Scan Sonar
- Sub Bottom Profiler
- ADCP
- LIDAR
- Cameras and optical sensors

