

## WATER WEIGHTS® Lifeboat & Gangway Test Bags

WATER WEIGHTS® lifeboat testing bags can be used to apply an evenly distributed load to a lifeboat, gangway, or any other object that has to be proof loaded.

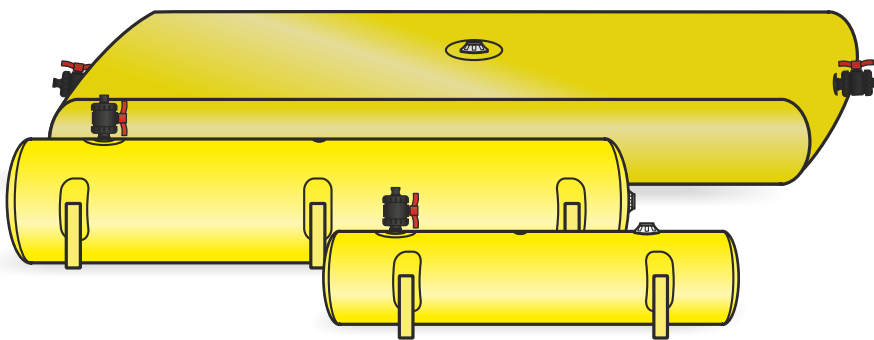
These specially designed Life boat testing bags of 100kg or 375kg each can be supplied as a complete life boat/gangway testing set. A remote system with a manifold and filling hoses, allows proof load testing to be conducted safely, without entering the craft in the 'dangerous' overload situation.

Larger gangways and small bridges can be tested with our 1 tonne WATER WEIGHTS® Mattress bags (MB1000). These bags offer much flexibility by their shape, and higher capacities can be achieved.



## Technical data

Branding:	WATER WEIGHTS®
Material:	PVC coated Polyester Fibre
Material thickness:	1650 GSM
Weight Tolerance:	±2% of filled weight
Coupling:	Standard 1" Camlock F
Extras:	Pressure relief valve, anchor tabs



Type	Size when empty (packed set: lxbxh)	Size when filled (length x width x height)	Weight (each empty)	Capacity (each)
LB100	120 x 100 x 120	110 x 28 Ø	6 kg	100 kg
LB375	120 x 100 x 120	250 x 44 Ø	10 kg	375 kg
MB1000	120 x 100 x 120	300 x 130 x 30	21 kg	1000 kg

Note: Above are the standard sizes. Other shapes and capacities are available on request. Bags can be purchased as a complete kit including accessories, or as single units.

