



WaterWeights
A Unique Group Company

Subsea Load Measuring & Monitoring



Typical Applications

- TLP Tether Tension Monitoring
- Riser In-haul Measurement & Control
- Riser Tension Monitoring System
- Hydraulic Riser Tension Monitoring
- Mooring Monitoring Packages - Buoy, Vessel, Turret or Anchor
- Jack-up Chord Load Monitoring
- Berthing Monitoring Packages
- Drilling Monitoring Systems
- Crane & Winch Load Monitoring
- Under-balanced Drilling Monitoring
- Subsea Megger Testing -ROV
- Deepwater Test Systems
- ROV Tether & Umbilical Monitoring



Innovative Measurement, Monitoring and Control systems for topside and subsea.

Subsea Intervention

ROV based subsea cable test pods complete with ROV integration, surface control unit and software. Thereby enabling the complete test and fault finding of new or installed cables and field umbilical from the surface.

Riser Inhaul

Systems and service to monitor the in haul, cross haul and connection of new risers including tension, angle, speed position, hydraulic lock-off with camera overlay onto main computer visualization package

TLP Tether Tension

TLP tether management systems to monitor and control the tension on the main platform tethers – designed to survive for 25 years subsea

Mooring Systems

Multiple anchor, winch, chain-stopper based mooring monitoring packages for new build or as retrofit packages for existing assets.





Offshore Oil & Gas Capabilities



Water Weights have experience in the Supply of Systems and Service into the Oil and Gas sector.

Systems Engineering

- Integrated Measurement Packages
- Specialist sensors for surface and subsea
- Multi sensor packages – Surface and subsea
- ROV deployable cable test Systems
- Load Measurement – surface and subsea
- Tension Measurement– surface and subsea
- Stress Measurement - surface and subsea
- Angle, position, speed measurement
- Monitoring and Data-logging
- PLC Control, Visualization & Alarm Package
- Intrinsically Safe Systems



Technical Services

- Consultation
- Subsea Strain gauging
- Torque Measurement
- Data Acquisition
- Data Analysis
- Calibration and Proof Testing
- Inspection and Test
- Installation and Commissioning

Design

- Structural design and advice
- Mechanical engineering
- Electrical Engineering
- Electronic Engineering
- Software Engineering

Products

- Load Pins. Load Cells Sub sea Load cells
- Load Shackles, Links
- Torque Measurement (fixed /rotating)
- Line Tension Meters
- Angle and acceleration
- Telemetry Systems



Water Weights Inc.
Locations Nationwide

International Tel 1-909-626-8316
US Toll Free: 888-998-3787
www.waterweightsinc.com

An ISO9001:2008 Certified Company



Offshore Mooring Systems



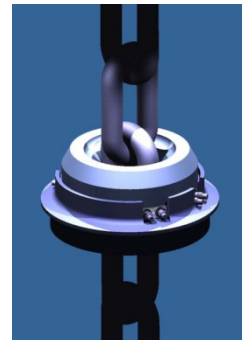
Water Weights has developed custom transducers suitable for extended in-service life whether surface or .

Typical mooring applications include the supply of sensors, topside controls & software for monitoring on a range of vessels.

- Semi-submersibles
- Tension-Leg Platforms
- FPSOs
- Jack-up barges
- Buoy Mooring
- Anchor Winches

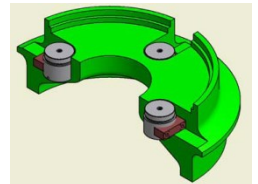
Chain Load Measurement

- In line – Shackle /Link
- Chain Stopper
- Parallel Tension and Angle



Tether Tension

- In Line
- Parallel tension and Angle



Jack-up Chord

- In Line tensiometers
- Lift Plate Load cells
- Chord Drive Torque Transducers



Water Weights Inc.
Locations Nationwide

International Tel 1-909-626-8316
US Toll Free: 888-998-3787
www.waterweightsinc.com

An ISO9001:2008 Certified Company



Measurement Transducers

Water Weights have a long history providing subsea load cells and transducers designed and built to withstand the corrosion, pressure and arduous conditions of temporary or permanent sub sea deployment.

Our range of products include but not limited to:



Load Cells



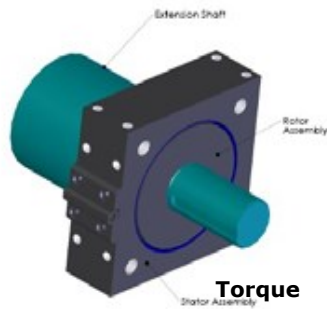
Strain Gauging



Load Pins



Line Tension



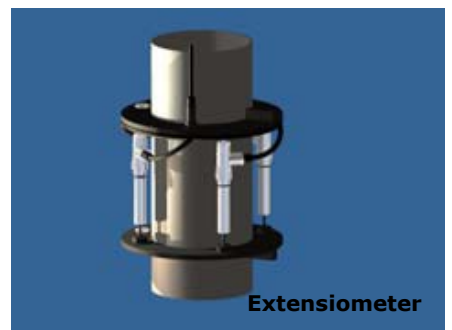
Torque



Load Shackles



In-link



Extensometer



Water Weights Inc.
Locations Nationwide

International Tel 1-909-626-8316
US Toll Free: 888-998-3787
www.waterweightsinc.com

An ISO9001:2015 Certified Company