



AQUILA-LED

The BIRNS Aquila-LED™ provides intense LED illumination focused on the job at hand, in the water and out. This is the ultimate low voltage underwater multi-use light with a compact, lightweight silhouette that can be seamlessly customized to fit a wide range of uses.



High Performance . . . Under Pressure®

This brilliant LED light delivers high performance under pressure with a small, yet powerful design. Its vivid 450 lumen LED lamp is rated at 35,000 hours and operates on 12VDC. The BIRNS Aquila-LED (model 5749) consumes a mere 6.5 watts and is RoHS compliant. It weighs 209g (10.5oz.) in air, or 64g (2.3oz.) in water, and features a Ø60mm (Ø2.4") housing with a 20° beam. Its wire-free construction combines advanced design characteristics with a streamlined profile that makes it simple to relamp in just 30 seconds, with no tools needed.

The BIRNS Aquila-LED has an ergonomically-designed compact mounting diameter, with a coarse diamond knurled surface for easy hand gripping or positioning on a mounting bracket.



KEY FEATURES

- Brilliant 5,700K white light illumination
- 20° beam
- 200m depth rating
- 35,000 hour lamp life
- 450 lumens
- 6.5W
- Operates in and out of water
- Fast, easy, wire-free maintenance
- BIRNS Smart Seal O-rings
- Ultra-compact, (Ø60mm / Ø2.4") light-weight design
- Customizable, mounts anywhere

APPLICATIONS

Built to withstand the rigors of marine applications—from subsea vehicles and underwater photography to helmet-mounted use in commercial diving—the versatile BIRNS Aquila-LED provides incredible illumination in a compact, rugged housing.



BIRNS' Quality Management System is
ISO 9001:2015 Certified;
BIRNS is NAVSEA PRO-020 Certified

High Performance . . .
Under Pressure®

SPECIFICATIONS

ORDERING INFORMATION

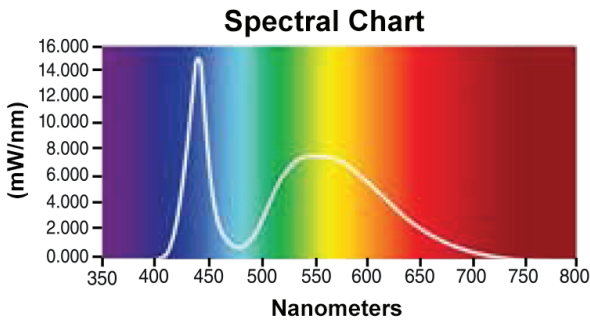
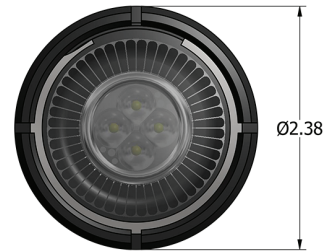
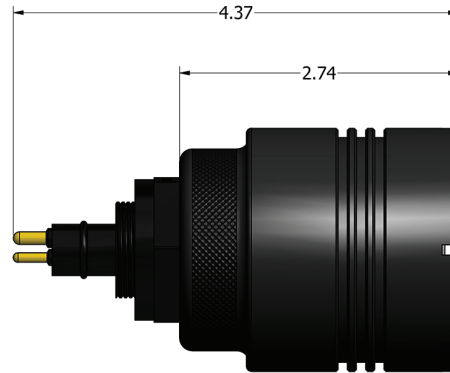
Step 1: Specify Model 5749 BIRNS Aquila-LED

Step 2: Select mount (optional)

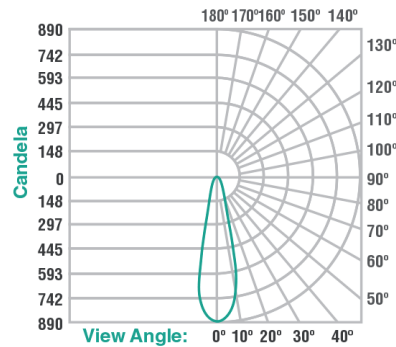
Item	Description
44C-007	Articulating helmet mount

Step 3: Select cable (required)

Part Number	Length (feet)	Length (m)
CEF2S16-5	5	1.5
CEF2S16-10	10	3
CEF2S16-33	33	10
CEF2S16-50	50	15
CEF2S16-100	100	30



Polar Candela Distribution



ø(ft)	H(ft)	E(fc)
0.7	2.0	580.4
1.4	4.0	145.1
2.1	6.0	64.5
2.8	8.0	36.3
3.4	10.0	23.2
20°		6.5W



PHYSICAL

Length:	111 mm (4.37 in)
Width:	60.4 mm (2.38 in)
Weight in Air:	209 g (7.4 oz)
Weight in Water:	64 g (2.3 oz)

LIGHTING/PHOTOMETRIC

Lamp Type:	LED, GU5.3 base
Time To Full Brightness:	<1 second after application of power
Operating Position:	Universal

ENVIRONMENTAL

Protection Level:	IP 68
Depth Rating:	200 M (600 FSW)

ELECTRICAL

Cable Size:	16 AWG Type SO, 2 conductor
Cable Current Rating:	12 amperes maximum
Cable Voltage Rating:	600 volts maximum

MATERIALS

Housing Parts:	6061 Aluminum, hard black anodized per MIL-A-8625, Type III, Class 2
Lens:	Fused Silica or Quartz
Seals:	Silicone, Buna
Connector:	Glass-reinforced epoxy (GRE)
Connector Pins:	Beryllium Copper