



Unique Group

Load Measurement Solutions

Water Weights

Tension Load Shackles from JCM



Buoyancy & Ballast

www.uniquegroup.com

Cabled or Wireless Telemetry

Available in sizes from 6.5 to 1000 Tonne and beyond depending on your requirement.

When used with ALRS2 our 10-point linearization gives market leading accuracy.

Ideally suited for applications where there is limited headroom, our load shackles are supplied, as standard, with an anti-rotation plate to keep the pin in its correct position and a load bobbin to centralize the load.

Load Measurement Solutions

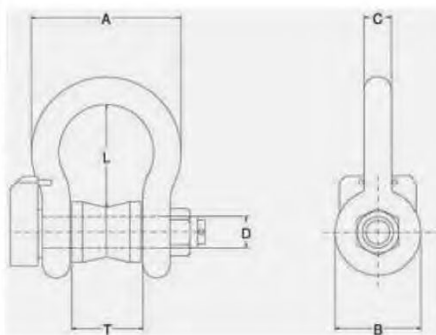
The need to accurately measure load, strain and force, or a combination of these, is an essential requirement for a significant number of Industrial, environmental and safety applications. Whether it is weighing materials on a crane, measuring pull on an anchor line, or measuring strain underwater, WATER WEIGHTS® provides reliable and cost-effective solutions.

Load shackles dimensions

All sizes in mm

Please confirm any critical dimension before ordering

Capacity (Te)	A	B	C	D	L	T
6.5	102	52	22	25	84	36
12	147	72	32	35	119	51
25	216	103	45	50	146	74
35	298	111	50	57	187	83
55	310	145	65	70	267	105
85	340	162	75	83	260	127
120	428	208	95	95	350	147
150	485	238	105	108	370	169
200	530	279	120	130	470	179
250	565	299	130	140	508	205
300	585	325	140	150	570	205
500	710	398	180	185	636	256



Due to the unique design of JCM load shackles we can offer standard and long battery life.

Standard battery

Using AA alkaline batteries giving up to 500 hours operation in the load link or load shackle

Up to 1-year battery life

Using a 3.6V lithium battery we can offer up to 1-year life on a single battery in both our load shackles.

This option is ideal for applications where the unit will be in situ for long periods of time.

Note that this option is for the load shackle only. All our handsets use AA alkaline batteries.

ALRS -The original Advanced Load Radio System has 4 units of measurement.

All calibration is carried out via the handheld which enables calibration to be carried out any-where. 6-digit display and 500-meter range are amongst the features of the ALRS handset.

ALRS2 -The new addition to the Advanced Load Radio System range. The ALRS2 has 6 units of measurement, visual and audible overload alarm.

Peak and actual load are constantly displayed. Available with logging package which can log up to 96 load cells at a time.

Both the ALRS and ALRS2 can be retrofitted to OEM load cells.



Unique Group

E. buoyancyballast@uniquegroup.com
W. www.uniquegroup.com



Local presence
worldwide

UNIQUE GROUP OFFICES

MIDDLE EAST

UAE

Unique Group FZC
Sharjah
T. +971 6 5130333
E. info@uniquegroup.com

QATAR

Unique System Tr & Eng WLL
Doha
T. +974 44147079
E. qatarsales@uniquegroup.com

SAUDI ARABIA

Muraba Alshara Trading LLC
Riyadh and Al Khobar
T. +966 13 802 0614
E. ksasales@uniquegroup.com

ASIA PACIFIC

SINGAPORE

Unique System (SEA) Pte Ltd
Singapore
T. +65 9712 7732
E. fareastsales@uniquegroup.com

INDIA

Unique Hydrographic Systems Pvt Ltd
Navi Mumbai and Vadodara
T. +91 22 27619939/40/41/75
E. indiasales@uniquegroup.com

AFRICA

SOUTH AFRICA

Unique Hydra (Pty) Ltd
Cape Town
T. +27 21 835 7900
E. sasales@uniquegroup.com

USA

CENTRAL

Unique System Inc
Houston, Texas
T. +1 713 937 6193
E. usasales@uniquegroup.com

EAST COAST

Water Weights Inc
Suwanee GA 30024
T. +1 678 730 4180
E. marketing@waterweights.com

WEST COAST

Water Weights Inc
Montclair CA 91763
T. +1 909 626 8316
E. marketing@waterweights.com

EUROPE

UK

Unique Seaflex Ltd
Cowes, Isle of Wight
T. +44 1983 290 525
E. buoyancyballast@uniquegroup.com

Unique System (UK) Ltd

Water Weights Ltd
Aberdeen, Scotland
T. +44 1224 723 742
E. uksales@uniquegroup.com

NETHERLANDS

Unique System BV
T. +31 850 513 700
Water Weights BV
T. +31 850 513 750
Werkendam
E. info.wwnl@uniquegroup.com

Unique Group's Buoyancy & Ballast products are available for hire or purchase from more than 20 other worldwide locations via our network of independent partners. Please contact us for more details.