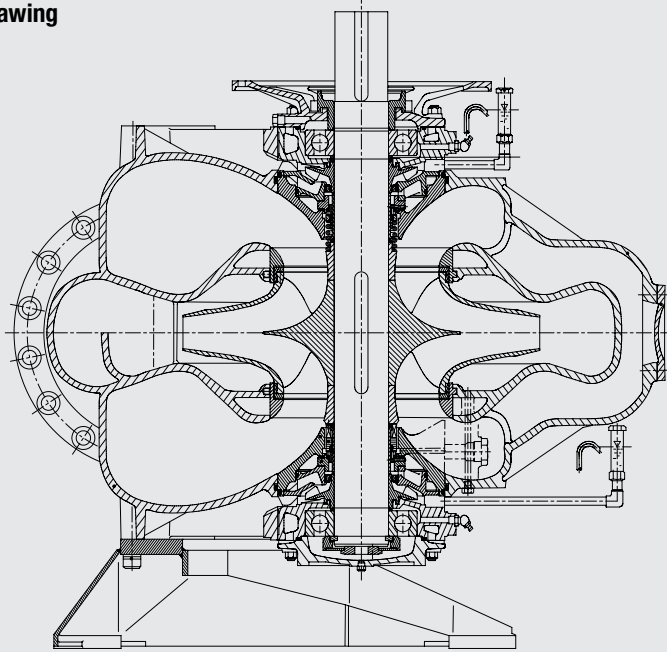


# CENTRIFUGAL PUMPS MODEL CB

Sectional Drawing  
CB Vertical

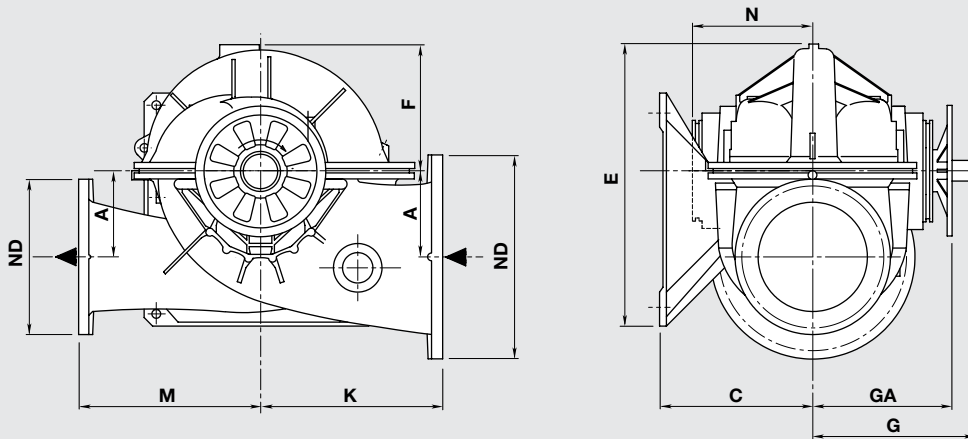


## DESCRIPTION

Between bearings single stage double suction impeller pumps that can operate in both vertical and horizontal installations. Low shaft stiffness ratio and compact design in multiple orientations.

Capacity: 600-6000 m<sup>3</sup>/h  
Differential pressure: 150-180 m.c.

## TECHNICAL SPECIFICATION



## DIMENSIONS (mm)

Pump Size	Suction ND	Outlet ND	A	C	E	F	G	GA	K	M	N	Weight* (kg)
C12BA 10-14	350	250	300	500	900	380	570	450	580	630	400	790
C22BA 12-16	400	300	315	530	955	435	570	450	630	630	400	870
C32BA 14-18	450	350	315	550	986	466	570	450	630	630	400	1000
C42BB 16-20	500	400	355	630	1159	519	670	575	750	750	480	1270
C42BB 18-24	600	450	355	630	1159	519	670	575	750	750	480	1300
C52BB 18-24	600	450	420	690	1209	569	670	575	850	850	480	1730
C52BB 20-28	700	500	420	690	1209	569	670	575	850	850	480	1740
C62BC 20-28	700	500	420	750	1395	655	830	680	950	950	560	2630

\*Approximate Weight

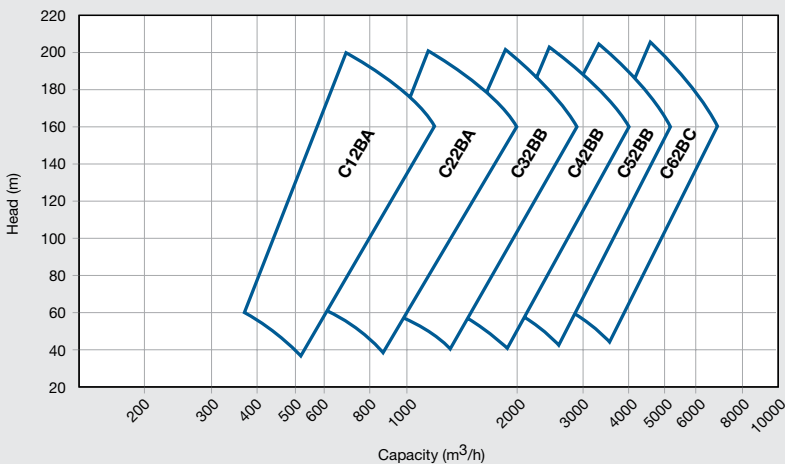
**CONSTRUCTION CODE**

**C22BAR - H048 - AAN - D12 - F01C1 - CNB**

<b>PUMP MODEL &amp; SIZE</b>	
C12BA	
C22BA	
C32BA	
C42BB	
C52BB	
C62BC	
<b>IMPELLER OPTION</b>	
R - Regular	
S - Special	
<b>PUMP CONFIGURATION</b>	
H048/V048	
H031	
H068/V068	
H711	
H084/V084	
H911	
H064/V064	
H051	
<b>MATERIALS OPTION FOR CASING</b>	
A - Ni Al Bronze - ASTM B148 958	
Z - Super Duplex - ASTM A890 CE3M	
S - Stainless Steel - ASTM A743 CF8M	
<b>MATERIALS OPTION FOR IMPELLER</b>	
A - Ni Al Bronze - ASTM B148 958	
Z - Super Duplex - ASTM A890 CE3M	
S - Stainless Steel - ASTM A743 CF8M	
<b>MATERIALS OPTION FOR SHAFT</b>	
N - Duplex - AISI 329, UNS 31803	
<b>FLANGE OPTIONS AND SIZES</b>	
D - DIN PN 16 or 25	
J - JIS 16K or 20K	
A - ANSI 150lbs or 300lbs	
<b>DRIVER SIZES AND COUPLING OPTIONS</b>	
<b>MECHANICAL SEALS OPTIONS</b>	
C - Unbalanced Carbon/Ceramic Faces	
S - Unbalanced Silicon Carbide/Carbon Faces	
<b>ELASTOMERS MATERIALS</b>	
N - Nitrile	
V - Viton	
<b>WEAR RING MATERIALS</b>	
B - Bronze	
C - Composite Materials - PEEK or similar alternative	

NOTE: For casings and impellers various additional material options may be available on request. e.g. other grades of bronze, Duplex, Nodular Cast Iron etc. For shafts various materials available on request e.g. Monel, Super Duplex - UNS32760 etc. Various mechanical seal options available on request e.g. balanced seal, harden faced seal faces, Hastelloy metals parts etc. For elastomers materials other options available on request e.g. EPDM.

**CAPACITY RANGE**



**PUMP CONFIGURATION**

H = Horizontal V = Vertical

<b>H048</b>		<b>V048</b>	
<b>H031</b>			
<b>H068</b>		<b>V068</b>	
<b>H711</b>			
<b>H084</b>		<b>V084</b>	
<b>H911</b>			
<b>H064</b>		<b>V064</b>	
<b>H051</b>			

**CONTACT US**

**Hamworthy Pumps Singapore Pte Ltd**  
 15 Bencoi Crescent  
 Singapore 629978  
 Singapore  
 Tel: +65 6261 6066  
 Email: SGPumpSales@hamworthy-pumps.com

**Hamworthy Pumps UK Ltd**  
 Unit 4C New Fields Business Park  
 Stinsford Road, Poole  
 Dorset BH17 0NF  
 Tel: +44 (0) 788 6851102  
 Email: gbumps@hamworthy-pumps.com



The manufacturers reserve the right to alter the specification and data to incorporate improvements in design. Certified drawings will be issued on request.

© All details copyright Hamworthy Pumps

Website: www.hamworthy-pumps.com