

MODEL T196 & T197

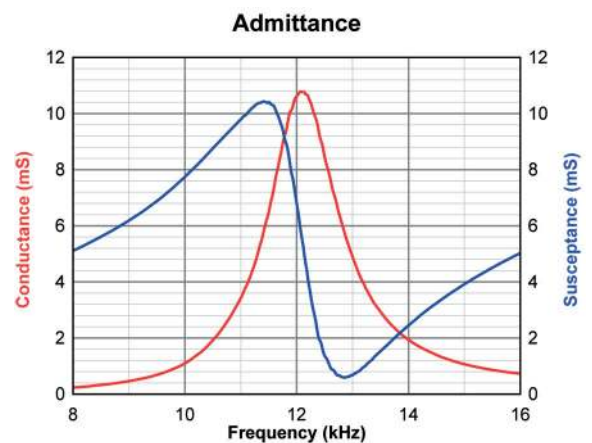
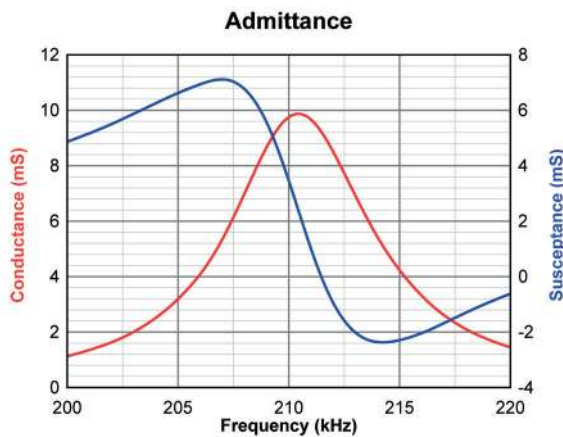


- DUAL FREQUENCY
- NAVIGATION & SURVEYING
- LOW SIDE LOBES
- LONG RANGE ECHO SOUNDER
- TOWED BODY CAPABILITY
- FULLY OVER-MOULDED

The T196 & T197 are both high performance, dual frequency transducers offering a versatile sounding system with high resolution and excellent range performance. The design features both high and low frequencies combined within a single over-moulded housing. Allowing a hydrographer the flexibility to select a system to meet the desired survey requirements of resolution, range, silt

penetration and beam pattern. The over-moulded polyurethane housing provides a mechanically robust, corrosion free transducer for hull or over-side mounting.

The T196/T197 is available with or without acoustic calibration which is traceable to National Standards.

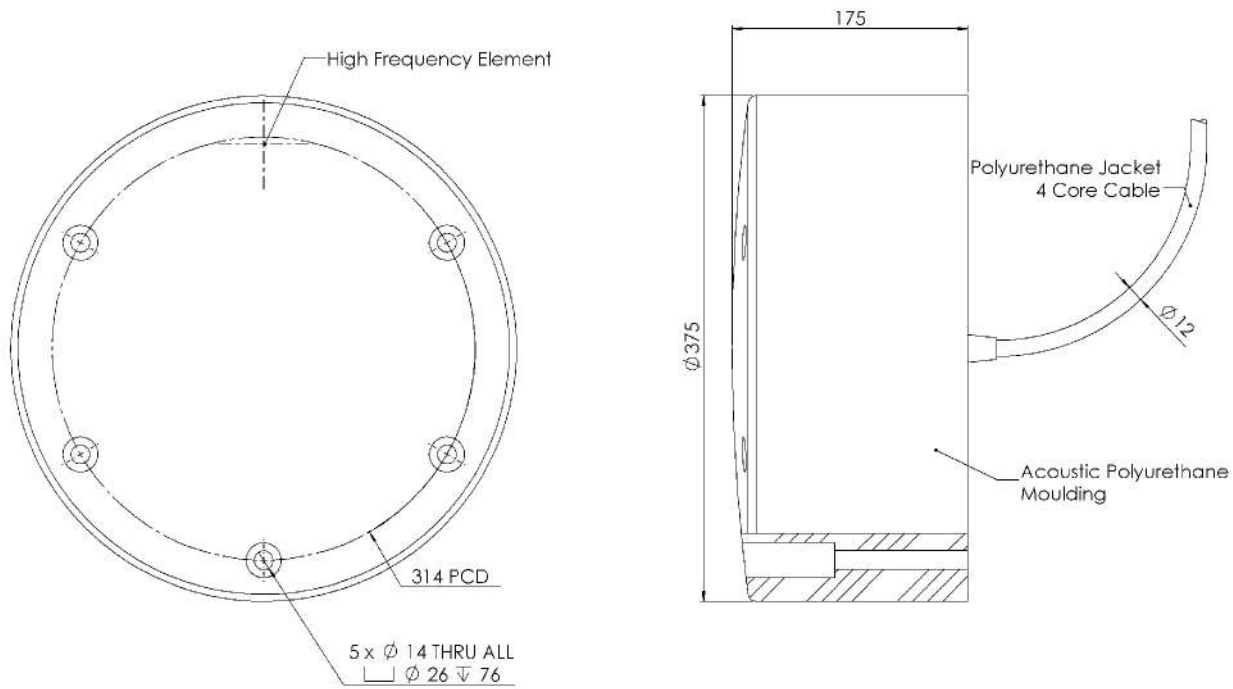


ACOUSTIC SPECIFICATION

Model Number	T196		T197		kHz
	12	210	12	200	
Frequency Options	12	210	12	200	kHz
Beam Angle (-3dB)	20	7.5	20	8	Degrees Conical
Transmit Sensitivity	167	174	167	175	dB re 1µPa/V @ 1m
Receive Sensitivity	-173	-187	-173	-186	dB re 1V/µPa
Bandwidth	1.5	28	1.5	20	kHz
Nominal Impedance	100	100	100	100	Ohms
Transmit Voltage / Duty Cycle (Max)	750	175	750	175	Vrms at 10%

Transducer impedance can be adjusted to suit customers specification

MODEL T196 & T197



All dimensions in mm

MECHANICAL SPECIFICATION

Operating Depth	300m Standard
Weight Air/Water including 10m cable	33.6 kg / 14 kg
Operating Temperature	-5 to +40 °C
Storage Temperature	-40 to +80 °C
Cable Type	Ø12mm Polyurethane Jacket, Screened 4 Core
Cable Length	10 metres standard (Additional lengths supplied to order)
Connector	Not fitted as standard (Optional Customer Specific)

MODEL T198

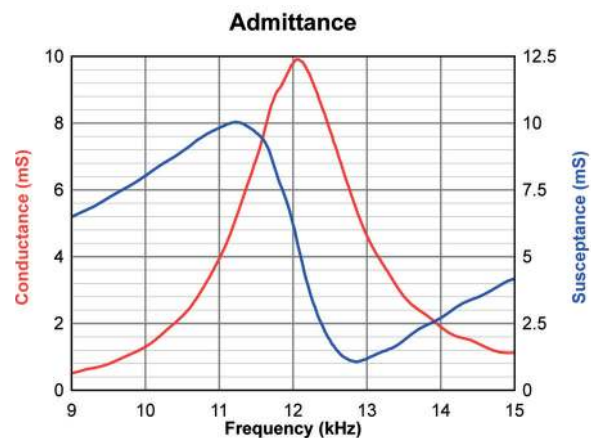
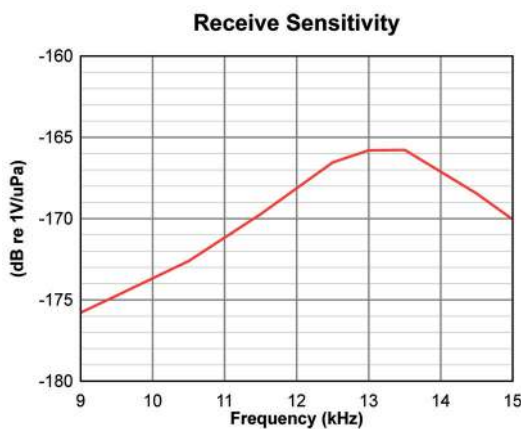


- 12 KHZ TRANSDUCER
- SINGLE NARROW BEAM
- LOW SIDE LOBE
- LONG RANGE ECHO SOUNDER
- TOWED BODY CAPABILITY
- FULLY OVER-MOULDED

The T198 transducer is a high power, long range directional array operating at 12 kHz. Originally designed for over-side installation, the T198 can also be hull mounted. The nodal mounted tonpilz elements are extremely robust, capable of withstanding high slamming forces, highly efficient and provide an excellent front to back ratio. An external transformer can be supplied

to accommodate any impedance matching. The transducer housing is an over-moulded, robust and corrosion free transducer body.

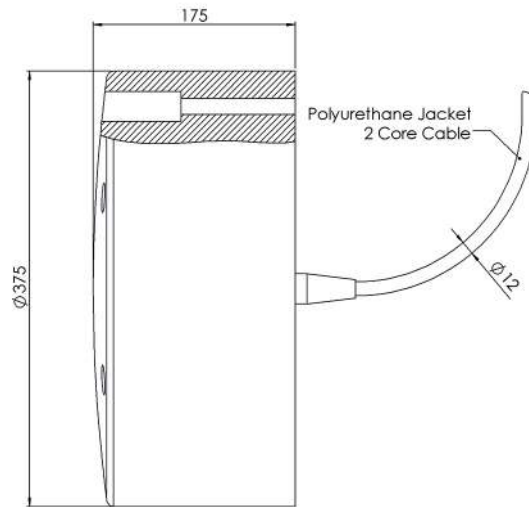
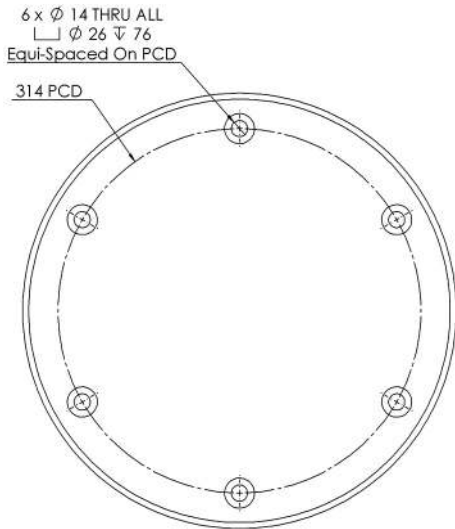
The T198 is available with or without acoustic calibration which is traceable to National Standards.



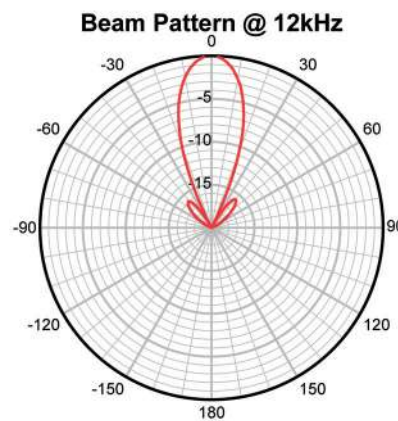
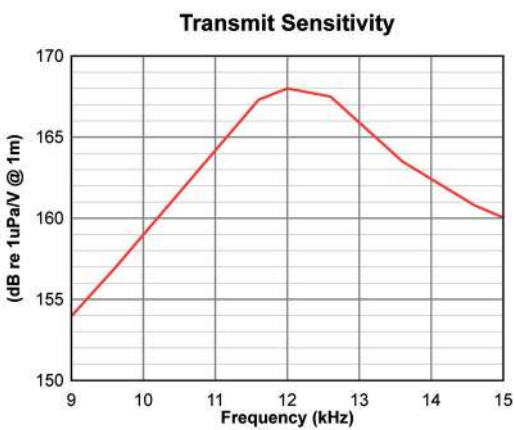
TECHNICAL SPECIFICATION

Resonant Frequency (Nominal)	12 kHz
Beam Angle (-3dB)	20 Degrees Conical
Side Lobe Level	> -15dB
Front / Back Ratio	> -20dB
Receive Sensitivity	-166 dB re 1V/μPa
Transmit Sensitivity	167 dB re 1μPa/V @ 1m
Bandwidth	1.5 kHz
Capacitance at 1 kHz (with 10m Cable)	86,000 pF
Transmit Voltage / Duty Cycle (Max)	750 Vrms at 10%
Nominal Impedance	100 Ohms

MODEL T198



All dimensions in mm



MECHANICAL SPECIFICATION

Operating Depth	600m Standard (Optional 1500m - may require an export license)
Weight Air/Water including 10m cable	35 kg / 15.6 kg
Operating Temperature	-5 to +40 °C
Storage Temperature	-40 to +80 °C
Cable Type	Ø12mm Polyurethane Jacket, Screened Twisted Pair
Cable Length	10 metres standard (Additional lengths supplied to order)
Connector	Not fitted as standard (Optional Customer Specific)