



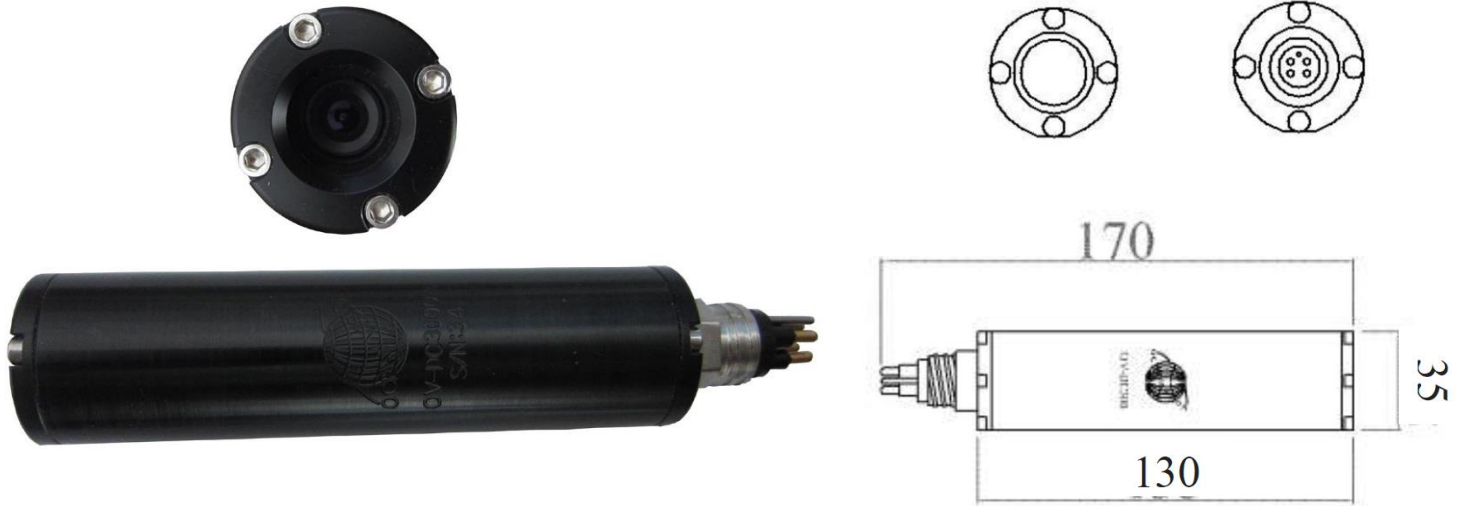
Unique Group

Strength in Depth

Mini Color Subsea Camera

300m Depth Rated

OV – DC300A



General Description

This mini color fixed lens camera is the perfect choice for the ROV, diving and marine industry. Providing a very cost efficient subsea camera. It is manufactured in Black Hard Anodized Aluminum with a special scratch resistant unified quartz glass Port. Durable and maintenance free. With a standard composite 1.0Vp-p video signal, a SN ratio more than 52dB and a resolution of more than 720TVL the unit will send a crisp and clear video signal to the operators monitor. The focus is automatic. The perfect choice for a “plug-and-play” Solution. The standard plug used is a 4pin micro male bulkhead type MCBH4M but other types can be delivered.

Details:

- Fixed lens (Angle of view 60deg)
- Material: Anodized Aluminum
- Port: Low Expansion Borosilicate glass
- 300m depth Rated,
- Length: 130mm + connector
- Width: 35mm
- Weight: 275g (air), <100g (water)
- Resolution: Minimum 720TVL (SONY Super HAD EFFIO V CCD II CHIP, Typical TVL is 750)
- Minimum illumination: 0,01Lux
50IR@F1.2 , 0,00019(with sense up)
- Power Supply: 12-36VDC/AC, with reverse polarity (standard edition)
- Manufacturer: Unique System (SEA) Pte Ltd

Configuration(s):

- PAL Version
Connector: MCBH4M)
- NTSC Version
Connector: MCBH4M)
- Customer specified
Connector and/or bracket

PN

PN 903272

PN 903273

“-02”