

DEEPSEA
Power & Light[®]



SeaStrobe[™] LED SeaLite[®]



Patents Pending

FEATURES

Wide, Flood, or Spot Configurations

Up to 10,000 Lumens

4,000 m, 6,000 m, and 11,000 m Depth Rated Options

Customer Serviceable

SeaSense[™] Protocol

Strobe Capabilities

Two-Year Limited Warranty

T: 858-576-1261
F: 858-576-0219

4033 Ruffin Road
San Diego, CA
92123-1817 USA

www.deepsea.com
sales@deepsea.com



SeaStrobe™ LED SeaLite®

LSL-2075	
Optical Specifications	
Typical Lumen Output (Flood)	10,000
Efficacy	100 lm/w
Lux at 1 m	TBD
Color	Day Light White 5000 K ~ 6500 K Warm White 2600 K ~ 3700 K Contact Sales for Color Options
CRI	Day Light White: 70 Warm White: 80
Beam Angle (HPFW)	Wide ¹ : 115° Flood: 75° Spot: 35°
Minimum Pulse Width	1.5 ms
Maximum Pulse Width	∞
Minimum Pulse Period	250 ms
Maximum Pulse Period	∞
Environmental Specifications	
Depth Rating	4,000 m Acrylic Port 6,000 m or 11,000 m Sapphire Port
Thermal Protection	Intelligent Thermal Rollback
Operational Temperature	-10°C ~ 40°C [14°F ~ 104°F] ¹
Storage Temperature	-40°C ~ 100°C [-40°F ~ 212°F]
Electrical Specifications	
Voltage	10~48 VDC ²
Over Voltage Limit	56 VDC
Under Voltage Limit	8 VDC
Power	106W @ 24 VDC
Charge Power	TBD
Pulse Power	106W @ 24V
Inactive Power	0.5W @ 24V
Pulse Mode	Input Follow, Pulse Trigger
Pulse Sync	Falling Edge, Rising Edge
Dimming	RS-232, RS-485
Mechanical Specifications	
Housing	Hard Anodized 6013 Aluminum Titanium ^{3,4}
Port	Standard: Sapphire Optional: Acrylic ^{3,4}
Outer Diameter	63 mm [2.48 in]
Overall Length	Acrylic Flood/Wide: 95.9 mm [3.77 in] Sapphire Flood: 93.3 mm [3.67 in] Acrylic/Sapphire Spot: 99.6 mm [3.92 in]
Weight in Air	450 g [0.99 lbs]
Weight in Water	200 g [0.44 lbs]
Connector⁵	
Default	SEACON MCBHMP SS Please contact sales for more options.

¹ Wide beam angle only available on Acrylic port 4,000 m depth rating. Titanium housing with this option reduces lumen output by 50%.

² 100% output available above 20 VDC. 50% output from 10~20 VDC due to input current limits.

³ Titanium housing with flood or spot beam requires sapphire port.

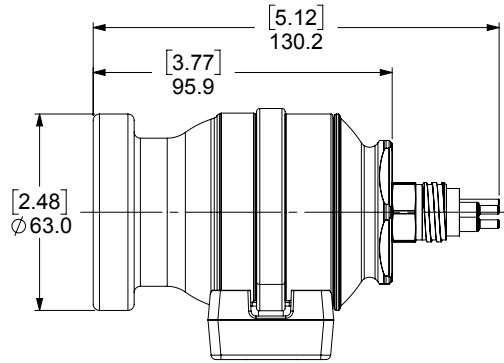
⁴ Titanium housing with wide beam and acrylic port reduces sapphire lumen output by 50%.

⁵ Ensure that ampacity ratings for interconnect system are suitable for your operating conditions. See Manual for more information.

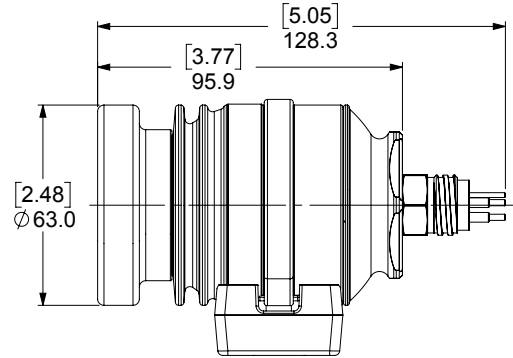
SeaStrobe™ LED SeaLite®

Dimensions

Flood Beam Acrylic Port

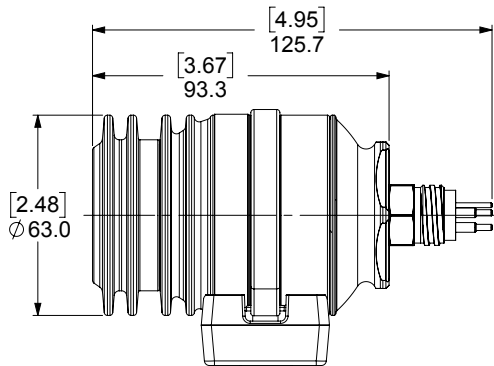


FLOOD/WIDE ACRYLIC ALUMINUM
mm [inch]



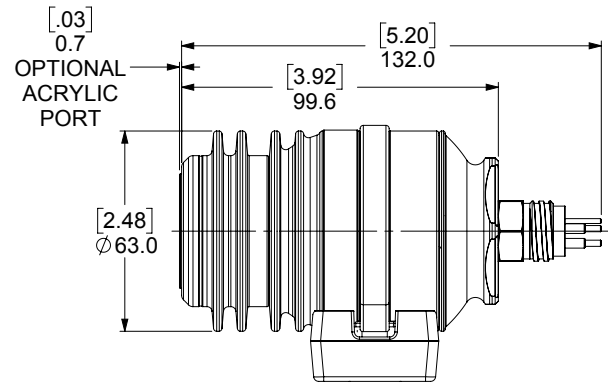
FLOOD/WIDE ACRYLIC TITANIUM
mm [inch]

Flood Beam Sapphire Port



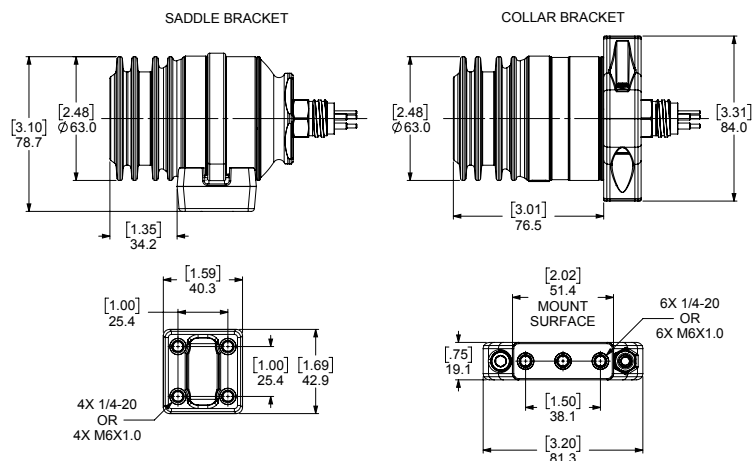
FLOOD SAPPHIRE
mm [inch]

Spot Beam



SPOT ACRYLIC/SAPPHIRE
mm [inch]

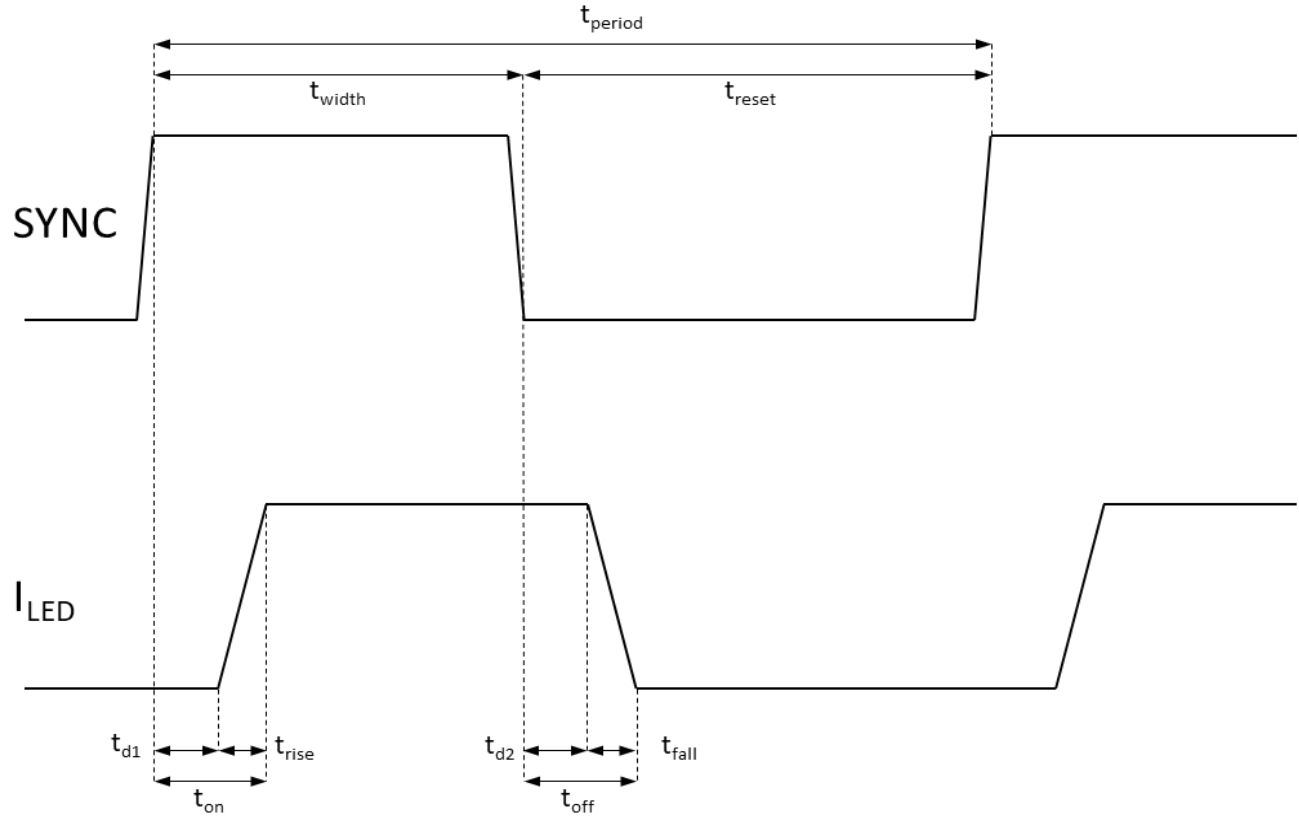
Bracket



mm [inch]

SeaStrobe™ LED SeaLite®

Pulse Timing Parameters



Minimum period	t_{period}	250 ms
Minimum pulse width	t_{width}	2 ms
Minimum reset time	t_{reset}	175 ms
Turn on delay	t_{d1}	250 μ s
I_{LED} rise time	t_{rise}	1 ms
Time to ON	t_{on}	1.25 ms
Turn off delay	t_{d2}	200 μ s
I_{LED} fall time	t_{fall}	200 μ s
Time to OFF	t_{off}	400 μ s