

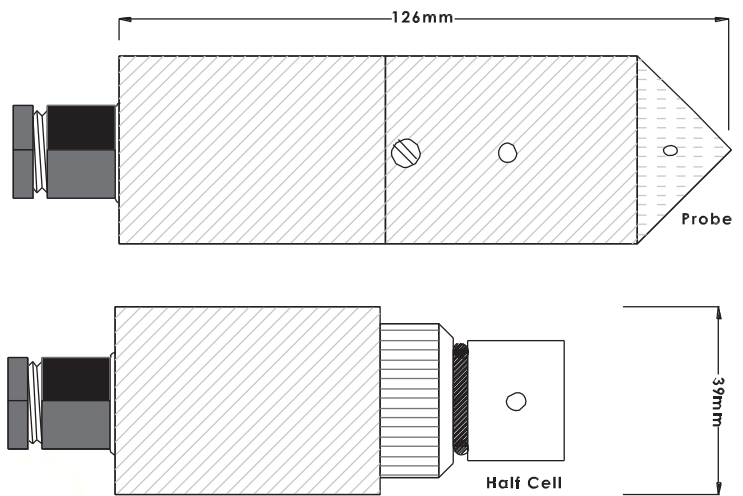
The UCP1B proximity probe is a lightweight and versatile instrument specifically designed to carry out underwater cathodic protection potential measurements.



The probe has been developed for use with manned or Remotely Operated Vehicles (ROVs) and comes complete with 3 metres of cable. Each probe is supplied with a Certificate of Inspection and Conformity.

By placing the UCP1B in close proximity to the surface under test, a voltage reading can be obtained on a suitable high impedance or digital voltmeter. The meter should be connected between the probe and a separate structure negative return.

The UCP1B is extensively used in a wide range of applications including production and drilling platforms, ships' hulls, jetties and other marine works.



### FEATURES

- Hard wearing DELRIN body
- Half Cell can be replaced
- Lightweight design
- Easy to use
- Suitable for fitting to manipulator arm

### TECHNICAL SPECIFICATIONS

#### Half Cell

- Type: silver/silver chloride screw-in
- Output:  $\approx +250\text{mV VS SHE}$
- Temperature coeff:  $-0.6\text{mV per }^\circ\text{C}$
- Temperature range:  $0 - 30^\circ\text{C}$
- Working life: 1 to 2 years

#### Unit

- Designed for use with remote voltmeter
- Minimum load impedance  $>10\text{M Ohms}$
- Weight: 0.5Kg
- Size: 126mm long x 39mm diameter
- Underwater cable: 3m long x 9mm
- Packed weight (complete): 0.8Kg
- Dimensions (packed): 26cm x 14cm x 30cm

**Note:** Due to ongoing technical developments, all stated information is typical and is subject to change without notice or obligation.

### AFTER SALES SERVICE / TECHNICAL SUPPORT

All Buckleys products are manufactured under the controls established by a quality management system that meets the requirements of BS EN ISO 9001:2015 and are supplied with a one year 'back-to-base' warranty. The equipment is proven to be robust and reliable and will give years of service if maintained in accordance with our instructions.

Annual re-calibration is recommended for the Proximity Probe. Buckleys provide full repair and calibration facilities; offering a fast turn-around service for customers' equipment.

Advice on specific applications for all Buckleys products is available from our technical department. Contact us by telephone or e-mail using the contact details below.

### Buckleys (UVRAL) Ltd.

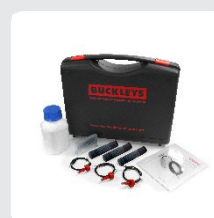
Buckleys House, Unit G, Concept Court, Shearway Business Park, Shearway Road, Folkestone, Kent. CT19 4RG. UK

Tel: +44 (0)1303 278888 Email: [sales@buckleys.co.uk](mailto:sales@buckleys.co.uk) Website: [www.buckleysinternational.com](http://www.buckleysinternational.com)

### ANCILLARY PRODUCTS AVAILABLE



Silver/Silver Chloride  
Half Cell  
6004-0051



Verification Kit  
6004-0032



Glass K-Series  
Reference Cell  
6004-0013