

HLK-46000

Compact Camera Boom



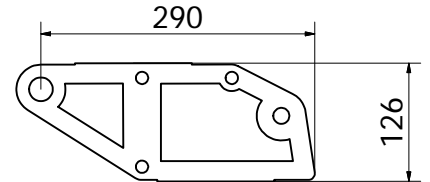
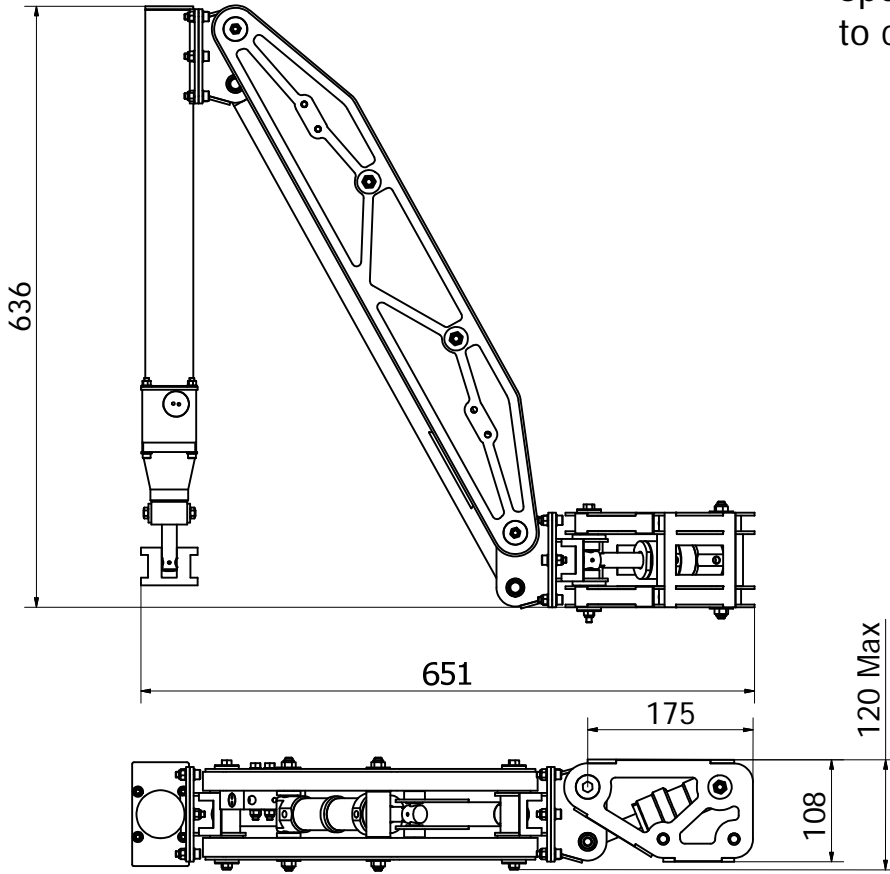
Features

- Designed for pipeline inspection of up to 1 metre
- Compact and easily stowed on smaller vehicle
- Incorporates HLK-2100 Mini Pan & Tilt as standard
- Camera remains stable throughout entire 135° angular movement of arm
- Camera mount can be tilted through 90° and rotated through 180°

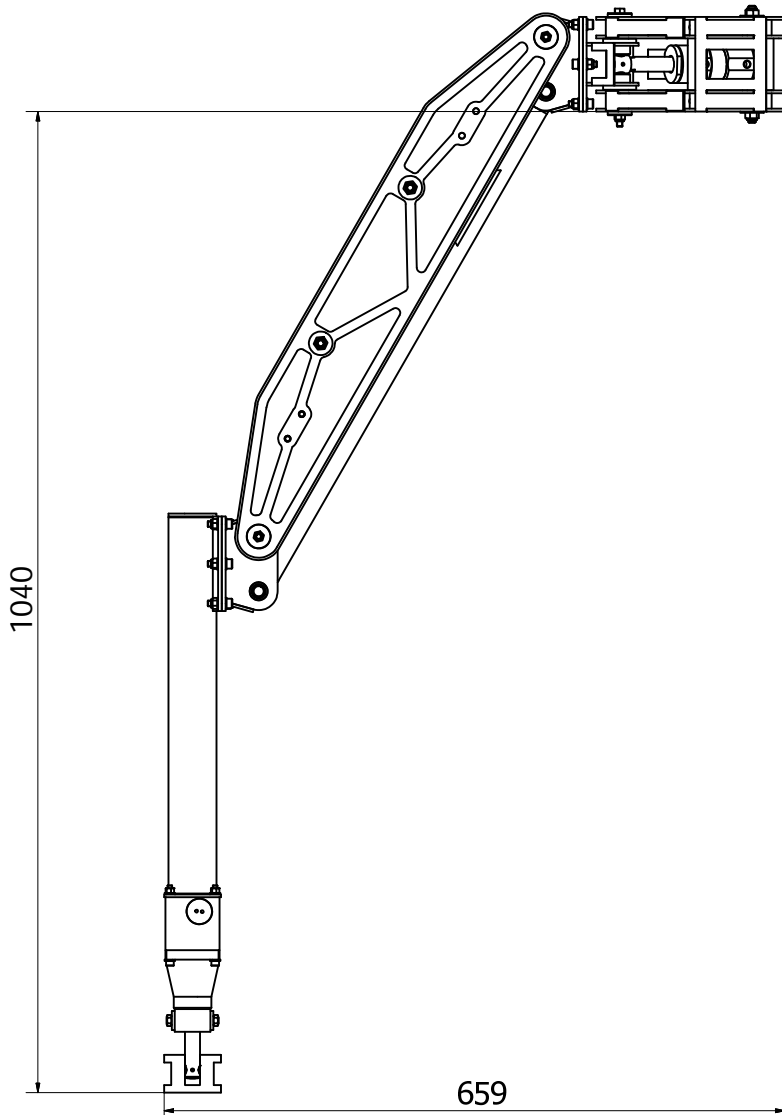
Specification:

Dimensions	Length of arm (Extended)	1040mm
	Height (Stowed)	636mm
	Width	120mm
Movement Range	Up / Down	65-0-70°
	Left / Right	0-30°
	(With optional slew)	30-0-90°
	Camera Pan	180°
	Tilt	90°
Weight	Weight in air	13.7Kg
	Weight in water	8.7Kg
Construction		316 SS HE 30 Hard Anodised Aluminium Polyethylene

Specification & dimensions subject to change without prior notification



Alternative Slew Mount
from HLK-4600 Camera Boom Arm



Specification

Movement Range

ARM	
Up-Down	65° - 0 - 70°
Left - Right	0 - 30°

CAMERA	
Tilt	0 - 90°
Rotate	0 - 180°

Weight

In Air	13.7Kg
In Water	8.7Kg

Construction

316 Stainless Steel
Hard Black Anodised Aluminium
Polyethylene

Designed by Alan Green	Checked by	Approved by	Date 14/04/2009	Date
Hydro-Lek Limited, Falcon House Falcon Business Park, Ivanhoe Road Hogwood Lane Industrial Estate Finchampstead, Berks. RG40 4QQ Tel: 0118 9736903 Fax: 0118 9736915			Camera Boom Arm Geometry	
HLK-46000 (Geometry)			Edition 0	Sheet 1 / 1