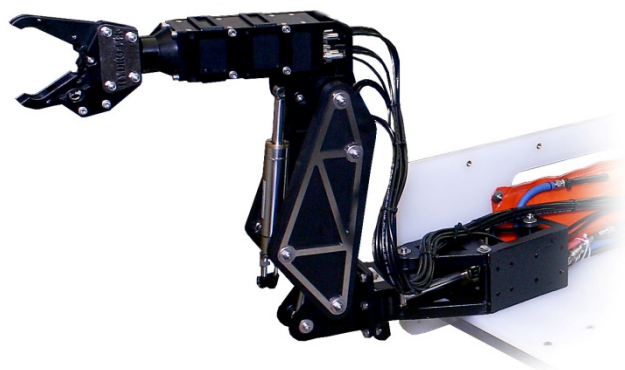


HLK-HD5

5-Function Rugged Manipulator

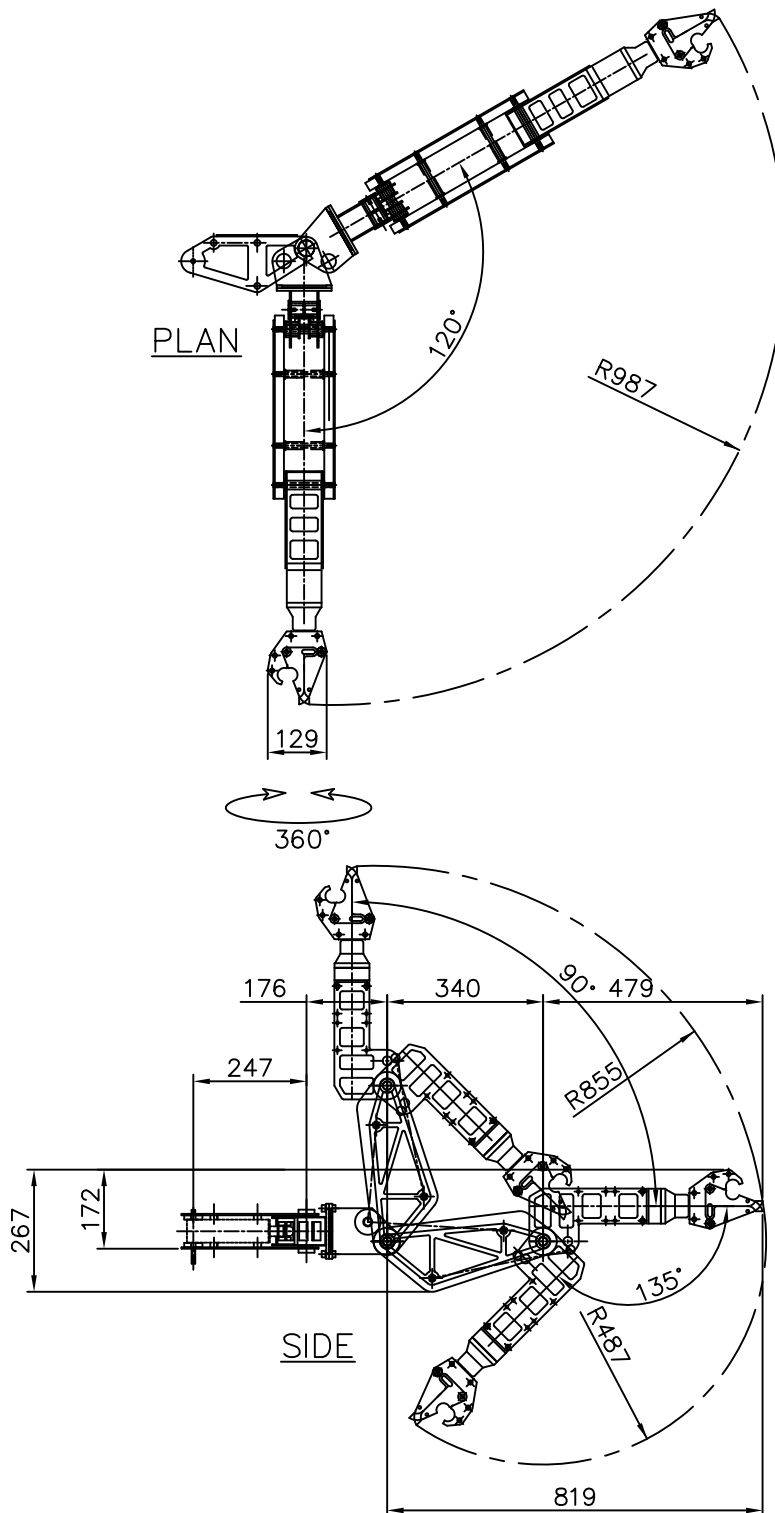


Features

- 5 degrees of freedom manipulator
- Excellent dexterity and articulation
- Lightweight - weighs only 21.5 Kg
- Lift of 40Kg at full reach
- Port or starboard mounting configuration on the slew plate
- Incorporates 19mm soft rope cutter

Specification:

Dimensions	Length of arm	819mm
	Length of slew	280mm
	Height	145mm
	Width	380mm (folded)
Capacities	Rotate	360° continuous
	Torque at 140 Bar (across ports)	38Nm
	Lift capacity at full reach at 140 Bar	40Kg
Weight	Weight in air	21.5Kg
	Weight in water	16.5Kg
Construction		316 SS Epoxy hard coated HE 30 Hard anodised aluminium High Density Polyethylene
Ports		1/8 NPT - 7/16 SAE



SPECIFICATION

ROTATE	360° CONTINUOUS
TORQUE AT 140 BAR	38 Nm
LIFT AT 140 BAR	40 KG
MAX. WORKING PRESS.	210 BAR
WEIGHT IN AIR	21.5 KG
WEIGHT IN WATER	16.5 KG
MATERIALS: -	HE 30 HARD ANODISED ALUMINIUM
	316 ST. STEEL
	H. D. POLYETHELENE
PORTS	1/8" NPT / 7/16" SAE.

HYDRO-LEK LTD.	HLK-HD5 MANIPULATOR
ISS. DATE: -	MAT: -
CHKD BY: - REV. NO: -	DRG. NO: - HLK 5600/DATA
DRAWN BY: - JW 23/8/99	