



## IMAGENEX MODEL 881A NARROW BEAM DIGITAL IMAGING SONAR

### APPLICATIONS:

- ROV, AUV, & UUV
- Offshore Oil & Gas
- Sunken Timber Recovery
- Diving Support
- Surveying
- Search & Recovery
- Inspection
- Underwater Archaeology
- Scientific Research

### FEATURES:

- Serial Communications
- Programmable
- High performance
- Lower cost
- Low power
- Simple set-up and installation
- Digital telemetry
- Full scale range from 1 m to 100 m
- Compact size
- Communication format available to user

Using Serial communications, this all-in-one, high performance digital imaging sonar can exceed 35 shots per second on the 1 m range at a 2 mm range resolution, producing near-photographic image quality.

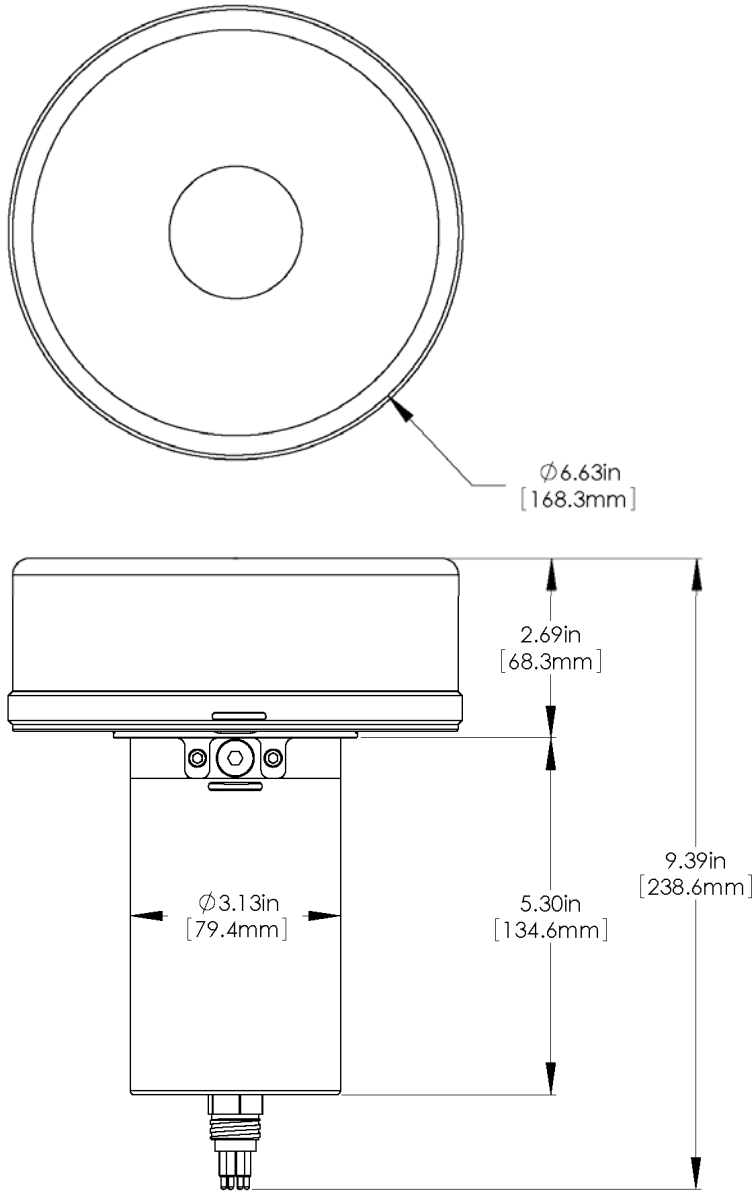
The 881A can operate with customized configurations or revert to default settings to match appropriate operating range scales.

In addition to the benefits of low power, a simple set-up and installation procedure make this powerful sonar an ideal tool for remotely operated platforms ranging from large work ROV's to small inspection vehicles, as well as AUV and UUV applications.



<b>HARDWARE SPECIFICATIONS:</b>	
<b>FREQUENCY</b>	675 kHz
<b>TRANSDUCER</b>	Imaging type, fluid compensated
<b>TRANSDUCER BEAM WIDTH</b>	0.75° x 20°
<b>RANGE RESOLUTION</b>	1 m – 4 m: 2 mm (0.08") 5 m & up: 10 mm (0.4")
<b>MIN. DETECTABLE RANGE</b>	150 mm (6")
<b>MAX. OPERATING DEPTH</b>	1000 m
<b>MAX. CABLE LENGTH</b>	1000 m on typical twisted shielded pair (RS-485)
<b>INTERFACE</b>	RS-485 serial interface @ 115.2 kbps (or optional RS-232)
<b>CONNECTOR</b>	End mounted, four conductor, wet mateable (Subconn MCBH4M-AS)
<b>POWER SUPPLY</b>	20 – 36 VDC at less than 5 Watts
<b>DIMENSIONS</b>	See drawing p. 3
<b>WEIGHT: In Air</b>	~ 2.6 kg (6 lbs)
<b>In Water</b>	~ 0.9 kg (1.9 lbs)
<b>MATERIALS</b>	6061-T6 Aluminum & Polyurethane
<b>FINISH</b>	Hard Anodize

<b>SOFTWARE SPECIFICATIONS:</b>	<b>Win881A.exe, Win881AL.exe</b>
<b>WINDOWS™ OPERATING SYSTEM</b>	Windows™ 95, 98, Me, NT, 2000, XP, Vista, 7
<b>MODES</b>	Sector, Polar and Side Scan
<b>RANGE SCALES</b>	1 m, 2 m, 3 m, 4 m, 5 m, 10 m, 20 m, 30 m, 40 m, 50 m, 60 m, 80 m, 100 m
<b>TRAIN ANGLES</b>	Continuous rotation, 3° increments
<b>SECTOR SIZE:</b> <b>SECTOR MODE</b> <b>POLAR MODE</b>	0° – 180°, 3° increments 0° – 357°, 3° increments, or Continuous rotation
<b>STEP SIZES</b>	Slow (0.3°), Medium (0.6°), Fast (0.9°), Faster (1.2°), Fastest (2.4°)
<b>GRID TYPES</b>	Polar and rectangular
<b>FILE FORMAT</b>	(filename).81a
<b>RECOMMENDED MINIMUM COMPUTER REQUIREMENTS:</b>	100 MHz Pentium 16 MB RAM 1 GB Hard Disk 800 x 600 x 256 colour graphics



**ORDERING  
INFORMATION:**

1000 m UNIT

Standard

881-000-405

Product and company names listed are trademarks or trade names of their respective companies.