

Datasheet

Compatt/ DPT Transponder Floatation Collar



Description

Sonardyne's range of subsurface floatation collars enable acoustic navigation and positioning transponders to be deployed, moored on the seabed and then recovered to the surface.

The floats are compatible with all Sonardyne's latest generation Compatt 6 and DPT Wideband transponders as well as previous generation Mk 5 and Mk 4 Compatts. They can be used with directional and omni-directional transducer types

Manufactured from high performance materials appropriate to the required depth rating, each float assembly comes in two halves and is clamped around the transponder using stainless steel fixings.

Bright colours make sure good visibility, either when subsea and viewed from an ROV's camera or when floating on the surface prior to recovery.

Once on the surface, the floatation collar is designed so the transponder floats in a downward position insuring the acoustic transducer is kept submerged. This can assist with relocating the transponder using a vessel-based acoustic positioning system and also protects the acoustic transducer during recovery back onboard.

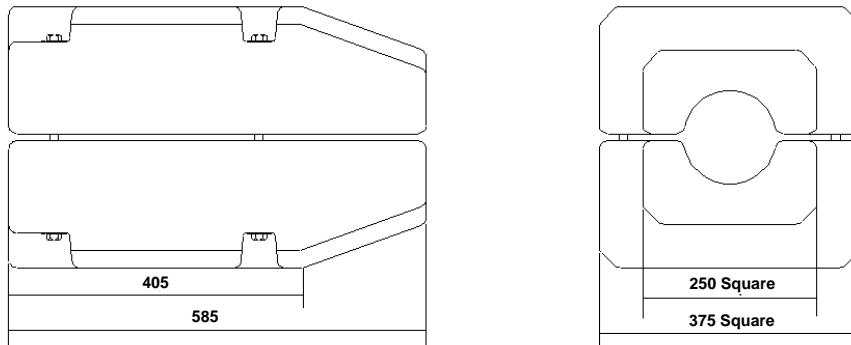
Key Features

- Manufactured from syntactic foam core encapsulated within a high visibility polyurethane elastomer coating
- Compatible with Sonardyne Compatt 6, DPT, Mk5 and Mk4 Compatt transponders
- Lifting eyelet inserts incorporated to ease transponder deployment and recovery
- Designed to stack, not roll, on vessel deck
- Available in 1,000, 3,000, 5,000 and 7,000 metre depth ratings

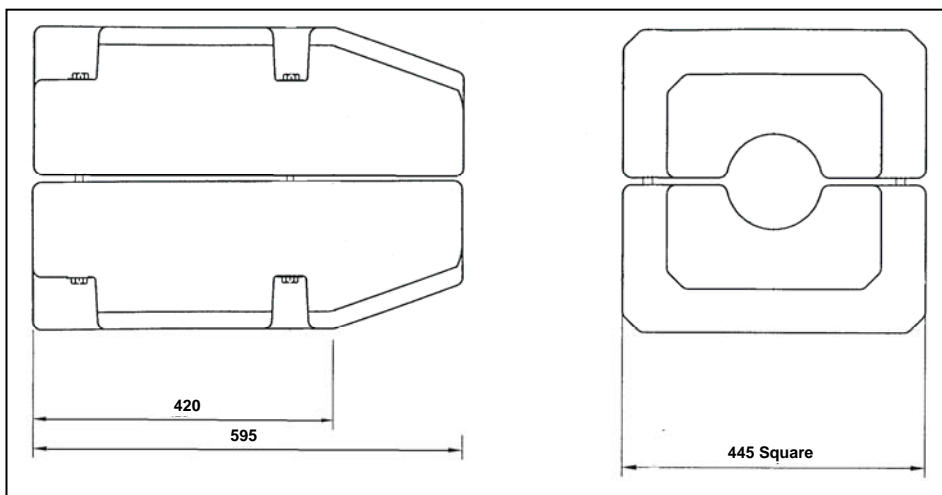
Specifications

Compatt/ DPT Transponder Floatation Collar

1,000 metre rated



3,000, 5,000 and 7,000 metre rated



Depth	1,000 metres	3,000 metres	5,000 metres	7,000 metres
Weight In Air	34.5 kg	64 kg	64.2 kg	64 kg
Nett Buoyancy	30 kg	32.7 kg	32.1 kg	27 kg
Dimensions (LxWxD)	585 mm x 375 mm x 375 mm	595 mm x 445 mm x 445 mm	595 mm x 445 mm x 445 mm	595 mm x 445 mm x 445 mm
Part Number	870-0236	870-0251	870-0378	870-0377