

Datasheet

Rope Canister



The Rope Canister is an optional attachment for the RT 6-1000 release transponder that allows heavy items left on the seabed, for example: ADCPs, tools, cables, and subsea structures to be quickly and easily hauled up to the surface.

Sonardyne's Rope Canisters are designed to attach to the RT 6-1000 and come with configurable recovery line lengths and two 400 m depth rated 3.5kg upthrust buoys.

Rope Canister options are available including 70 m, 120 m and 160 m of high strength rope (Dyneema recovery line) with a working load

limit (WLL) of up to 250 kg for the 70 m and 120 m.

The Rope Canister is small and portable in use and can be quickly attached to the RT 6-1000 using three clamps.

The Rope Canister kit is supplied with a Rope Canister, two 3.5 kg upthrust buoys, shackles and attachment lines.

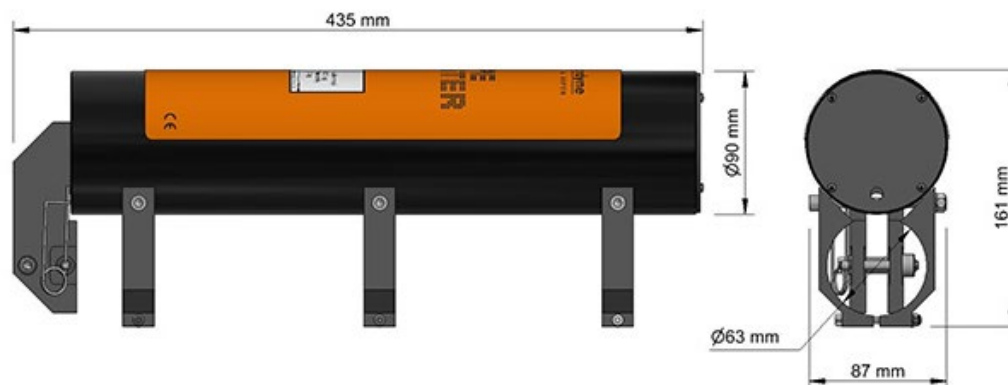


Key Features

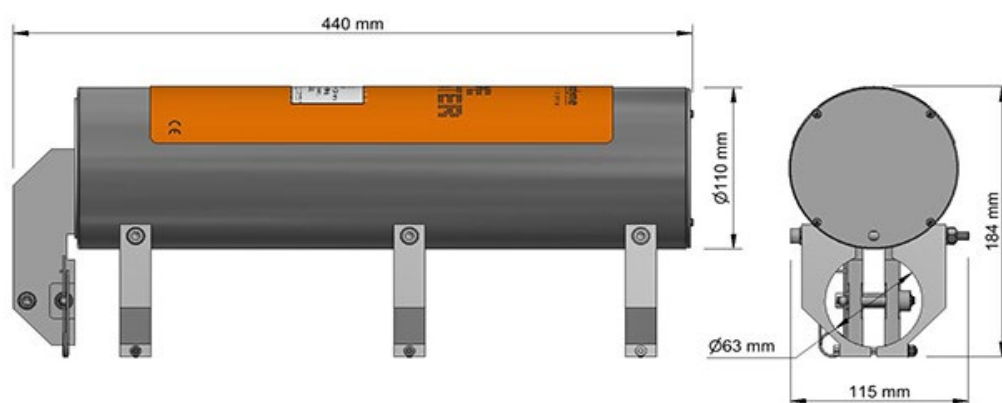
- Avoid leaving infrastructure on the seabed
- Avoid the use of costly ROVs or divers
- Options for different length recovery lines
- WLL up to 250 kg
- Compact and portable
- Supplied as a complete kit

Specifications

Rope Canister



70 m Rope Canister



120 m and 160 m Rope Canister

Feature		Specification
70 m Canister		Part number 641-0673
120 m Canister		Part number 641-3265
160 m Canister		Part number 641-0080
Operating Temperature		-5 to 40°C
Storage Temperature		-20 to 45°C
Dimensions (Length x Diameter)	70 m Canister	435 x 90 mm
	120/160 m Canister	440 x 110 mm
Weight in Air (Including Recovery Line)	70 m Canister	1.93 kg
	120 m Canister	2.42 kg
	160 m Canister	2.10 kg

Spares (Part Number)	Description
650-1602	Rope Canister Accessory Kit 70 m
650-2486	Rope Canister Accessory Kit 120 m
650-0038	Rope Canister Accessory Kit 160 m
231-0348	Replacement 70 m recovery line (250 kg WLL)
231-0350	Replacement 120 m recovery line (250 kg WLL)
641-0074	Replacement 160 m recovery line (125 kg WLL)