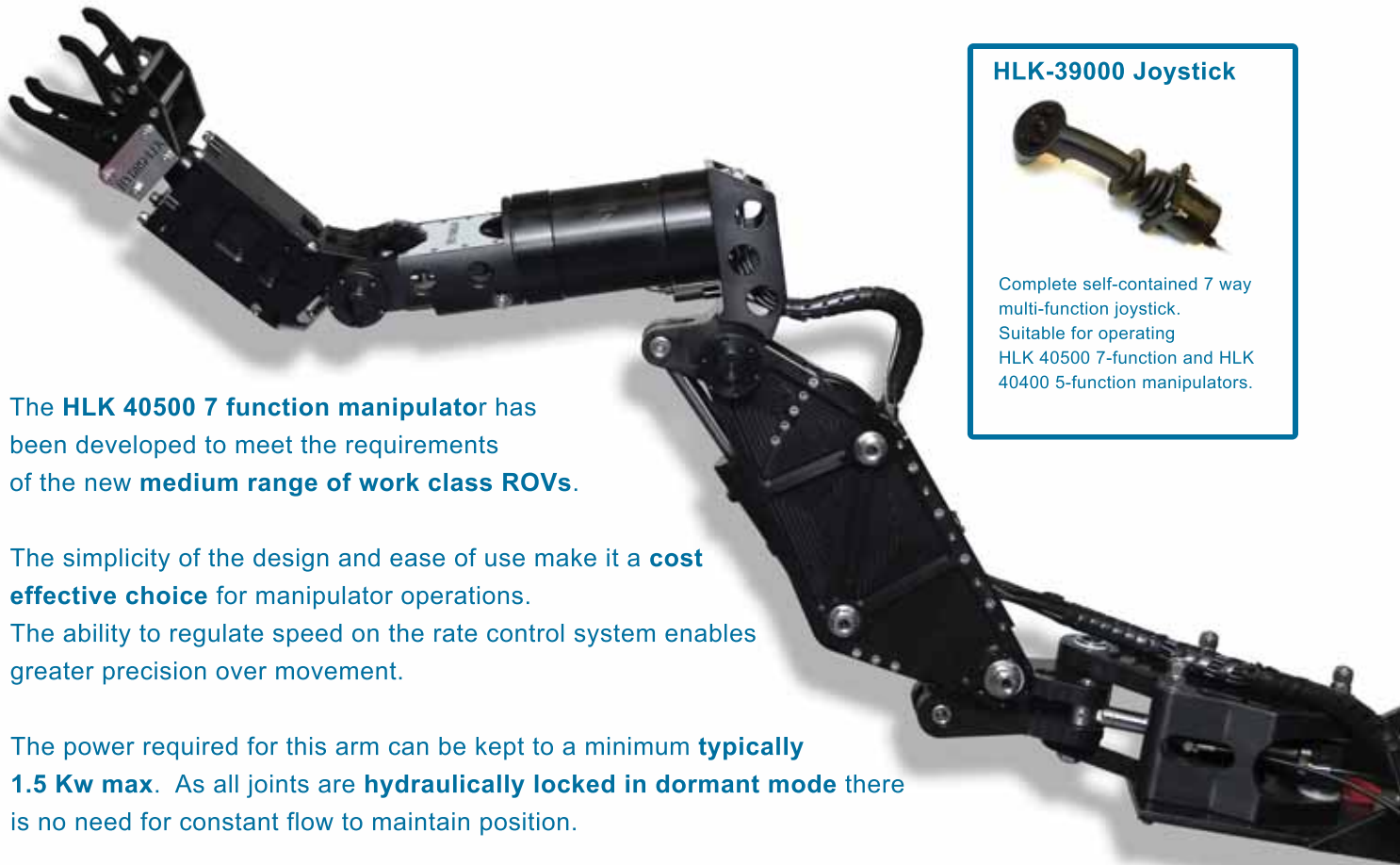


HLK - 40500 R - 7 Function work class manipulator



The **HLK 40500 7 function manipulator** has been developed to meet the requirements of the new **medium range of work class ROVs**.

The simplicity of the design and ease of use make it a **cost effective choice** for manipulator operations. The ability to regulate speed on the rate control system enables greater precision over movement.

The power required for this arm can be kept to a minimum **typically 1.5 Kw max**. As all joints are **hydraulically locked in dormant mode** there is no need for constant flow to maintain position.

The arm can be mounted on either side of the ROV by virtue of a unique slew bracket which can be installed for **starboard or port mounting**. This enables an upper arm range which can work from below the ROV to points close to the standard badge bar. Jaws with an opening range of 0 - 152mm are included as standard.

The standard jaws incorporate the innovative soft line cutter and 'T' handle capability which is the default feature on all Hydro-Lek arms. The HLK 40500 has been developed in conjunction with the complementary HLK 40400 5 function grabber arm.

- **Strong and rugged design**
- **Low power consumption**
- **Cost-effective**
- **Simple Speed Control**
- **Ease of operation and maintenance**

HLK-39000 Joystick



Complete self-contained 7 way multi-function joystick. Suitable for operating HLK 40500 7-function and HLK 40400 5-function manipulators.

HLK- 40500 R 7 Function work class manipulator Specification

Dimensions

Length of arm (from slew pivot)	1500mm
Length of slew plate	410mm
Height (Stowed)	800mm
Width	180mm

Capacities

Rotate	360° continuous
Torque at 140 bar (across ports)	75Nm
Lift capacity at full reach at 160 bar	150Kg
Maximum lift capacity	210 bar 210 kg

Degrees Freedom-of-Motion

Azimuth	90-0-30°
Shoulder pitch	100°
Elbow pitch	100°
Forearm roll	270°
Wrist pitch	90°
Wrist rotate	360° continuous
Dual function gripper & cutter	0 – 152 mm

Weight

Weight in air	59Kg
Weight in water	40Kg

Construction

316 SS Epoxy powder coated
HE 30 Hard anodised aluminium

Porting

To suit HLK-17000 series fittings

Hydraulic Power Requirements

Operating pressure

Standard 140 bar 210 bar max

Flow rate

6 lpm max

Hydraulic Fluid Type

Standard mineral oil (consult Hydro-Lek)

Fully Extended Length from
Slew Pivot (X) = 1318mm

