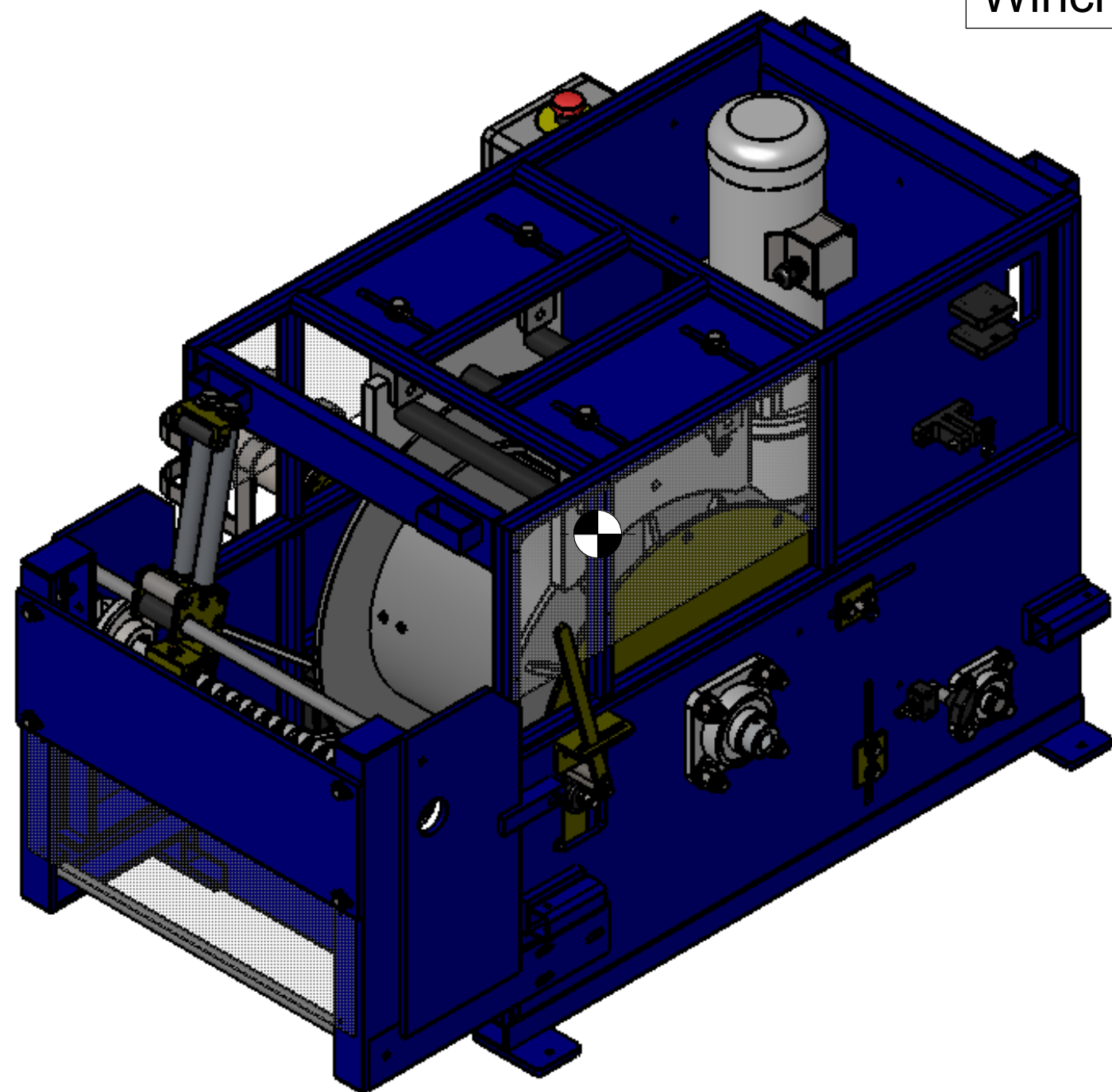
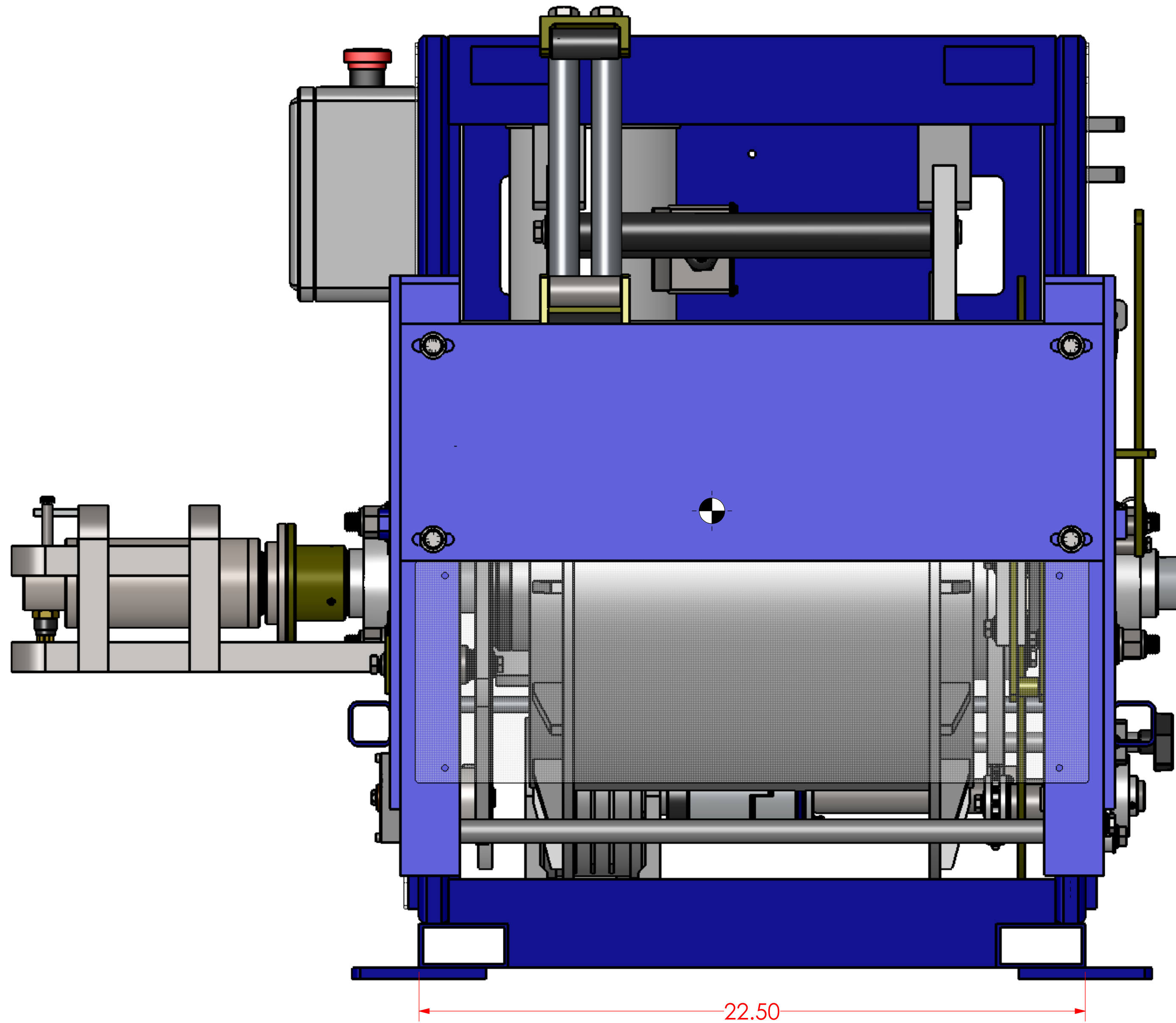


Items	Spec.
Drum Size (Flange x Core x Width):	21" x 14" x 12"
Motor:	LEESON 2HP 180VDC 2500RPM WASHGUARD Motor (109207)
Gearbox:	Bravo 525 Gearbox (19:1)
Drive Sprocket:	40B16
Drum Sprocket:	40A72
Drive Chain Length:	62.1
Cable Size:	150m 8.2mm Rochester Coax Cable
Levelwind Drum Sprocket:	35A40
Levelwind Gearbox Input Sprocket:	35B35 (Factory Installed) / 35B36 (Spare)
Levelwind Gearbox Output Sprocket:	35B21 (Factory Installed) / 35B22 (Spare)
Reversing Screw Sprocket:	35B36
Level Wind Chain 1 Length:	30.4
Level Wind Chain 2 Length:	53
Emergency Stop Switch:	YES
Electric Brake:	LEESON 10FT-LB
Slip Ring:	AGO SR08 316 SS Slip Ring
Controller:	KBRC-240D
Joystick:	YES
Revision Note :	
Winch S/N:	
Winch Weight (lbs.):	407.3



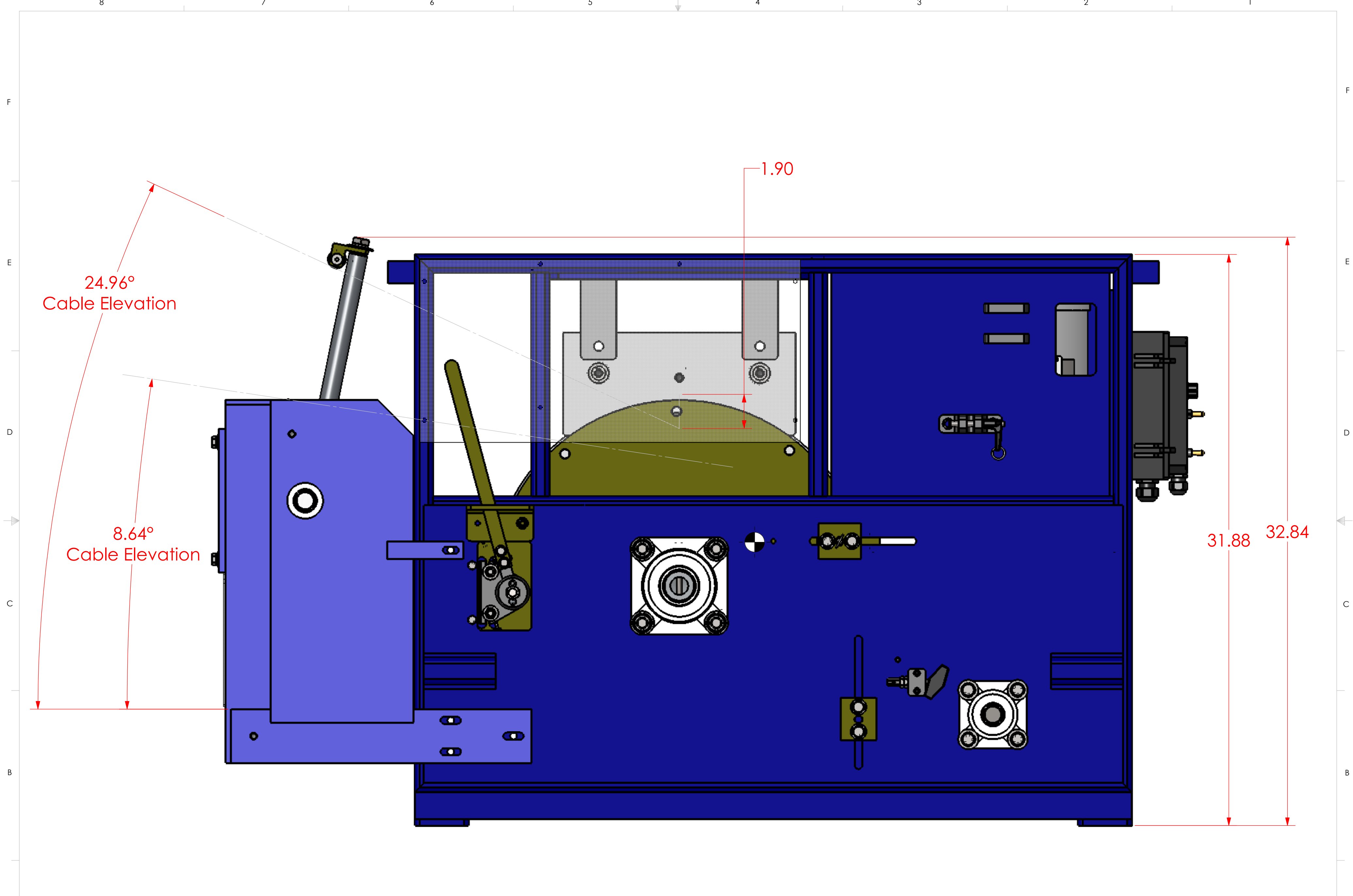
UNLESS OTHERWISE SPECIFIED:		NAME	DATE	A.G.O Environmental Electronics Victoria, B.C. Canada, V9A 3L4
DIMENSIONS ARE IN INCHES		DRAWN	Donald Lo	
TOLERANCES:		CHECKED		TITLE:
FRACTIONAL: ± 1/16		ENG APPR.		PID 02 SDW-1 ASSEMBLY (GSE 2017)
ANGULAR: MACH ± 1° BEND ± 1°		MFG APPR.		SIZE DWG. NO. REV
TWO PLACE DECIMAL: ± .01		Q.A.		C PID2-110A-GSE
THREE PLACE DECIMAL: ± .001		COMMENTS:		SCALE: 1:12 SHEET 1 OF 6
MATERIAL:				
FINISH:				
DO NOT SCALE DRAWING				



UNLESS OTHERWISE SPECIFIED:	
DIMENSIONS ARE IN INCHES	
TOLERANCES:	
FRACTIONAL:	± 1/16
ANGULAR: MACH ± 1° BEND	± 1°
TWO PLACE DECIMAL:	± .01
THREE PLACE DECIMAL:	± .001
MATERIAL:	
FINISH:	
DO NOT SCALE DRAWING	

NAME	DATE
DRAWN Donald Lo	Jan 1, 2017
CHECKED	
ENG APPR.	
MFG APPR.	
Q.A.	
COMMENTS:	

A.G.O Environmental Electronics Victoria, B.C. Canada, V9A 3L4		
TITLE: PID 02 SDW-1 ASSEMBLY (FRONT VIEW) (GSE 2017)		
SIZE	DWG. NO.	REV
C	PID2-110A-GSE	
SCALE: 1:12	SHEET 2 OF 6	



UNLESS OTHERWISE SPECIFIED:
 DIMENSIONS ARE IN INCHES
 TOLERANCES:
 FRACTIONAL: ± 1/16
 ANGULAR: MACH ± 1° BEND ± 1°
 TWO PLACE DECIMAL: ± .01
 THREE PLACE DECIMAL: ± .001

MATERIAL:
 FINISH:
 DO NOT SCALE DRAWING

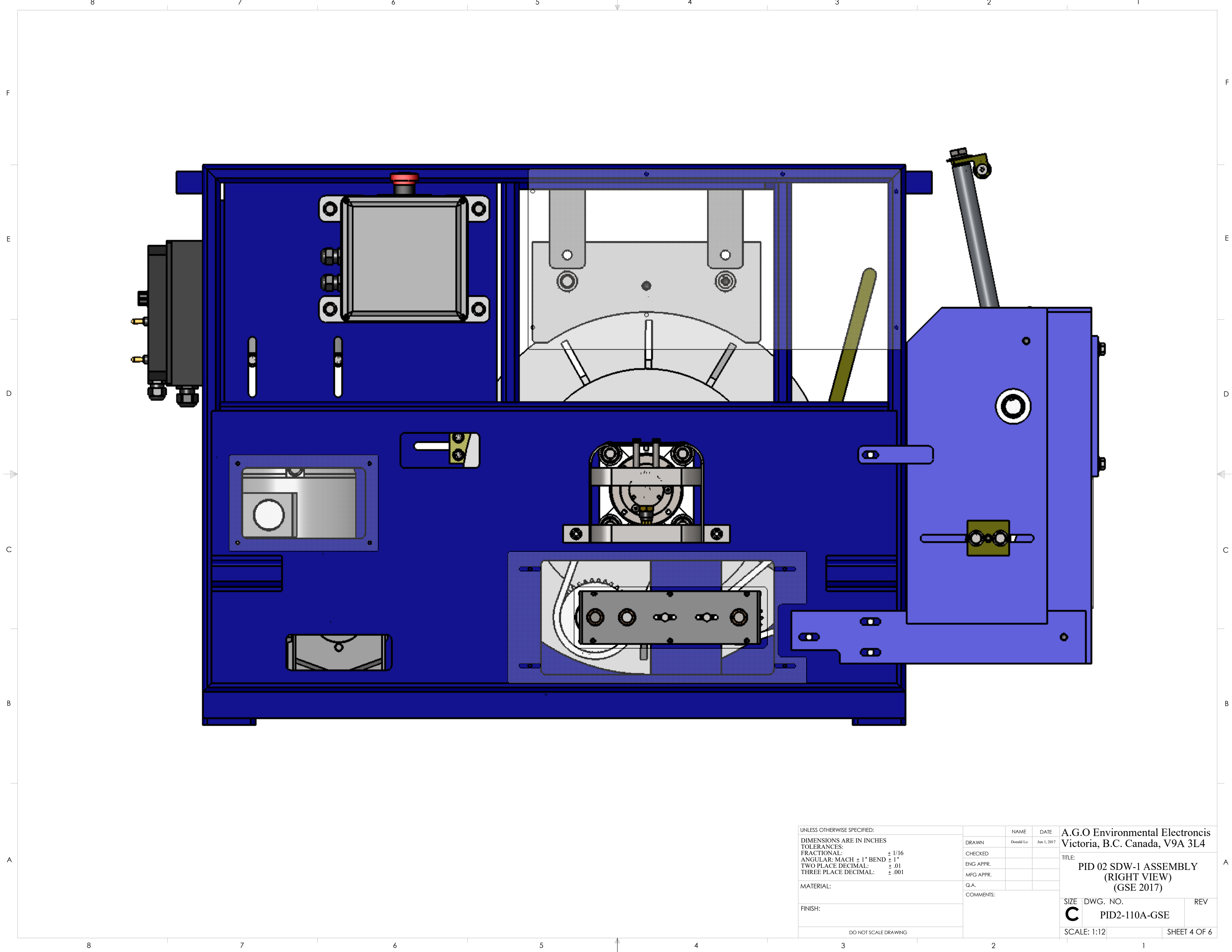
	NAME	DATE
DRAWN	Donald Lo	Jun 1, 2017
CHECKED		
ENG APPR.		
MFG APPR.		
Q.A.		
COMMENTS:		

A.G.O Environmental Electronics
 Victoria, B.C. Canada, V9A 3L4

TITLE:
**PID 02 SDW-1 ASSEMBLY
 (LEFT VIEW)
 (GSE 2017)**

SIZE	DWG. NO.	REV
C	PID2-110A-GSE	

SCALE: 1:12 SHEET 3 OF 6



UNLESS OTHERWISE SPECIFIED:
 DIMENSIONS ARE IN INCHES
 TOLERANCES:
 FRACTIONAL: ± 1/16
 ANGULAR: MACH ± 1° BEND ± 1°
 TWO PLACE DECIMAL: ± .01
 THREE PLACE DECIMAL: ± .001

MATERIAL:
 FINISH:
 DO NOT SCALE DRAWING

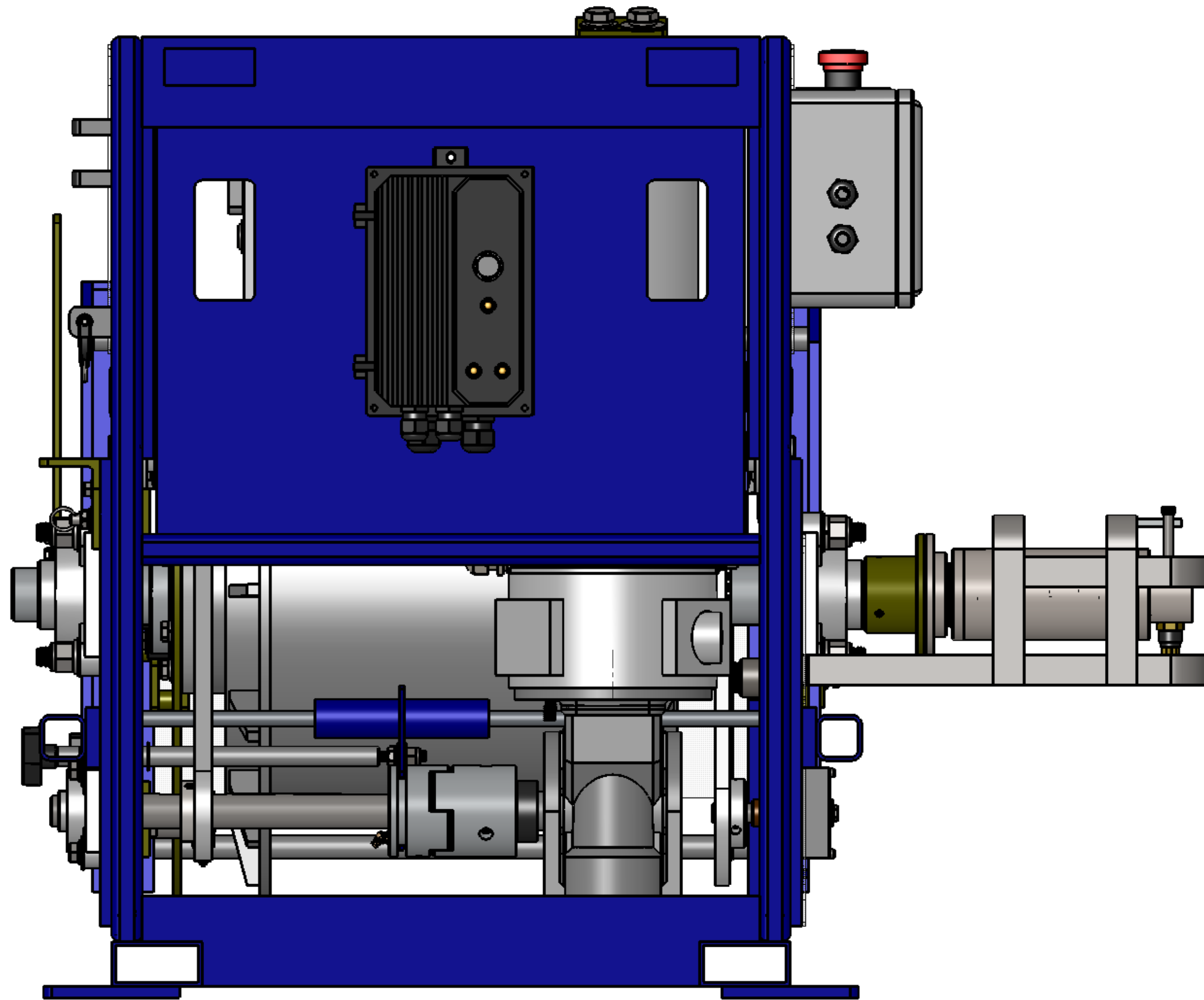
	NAME	DATE
DRAWN	Donald Lo	Jun 1, 2017
CHECKED		
ENG APPR.		
MFG APPR.		
Q.A.		
COMMENTS:		

A.G.O Environmental Electronics
 Victoria, B.C. Canada, V9A 3L4

TITLE:
**PID 02 SDW-1 ASSEMBLY
 (RIGHT VIEW)
 (GSE 2017)**

SIZE	DWG. NO.	REV
C	PID2-110A-GSE	

SCALE: 1:12 SHEET 4 OF 6



UNLESS OTHERWISE SPECIFIED:
 DIMENSIONS ARE IN INCHES
 TOLERANCES:
 FRACTIONAL: $\pm 1/16$
 ANGULAR: MACH $\pm 1^\circ$ BEND $\pm 1^\circ$
 TWO PLACE DECIMAL: $\pm .01$
 THREE PLACE DECIMAL: $\pm .001$

MATERIAL:
 FINISH:
 DO NOT SCALE DRAWING

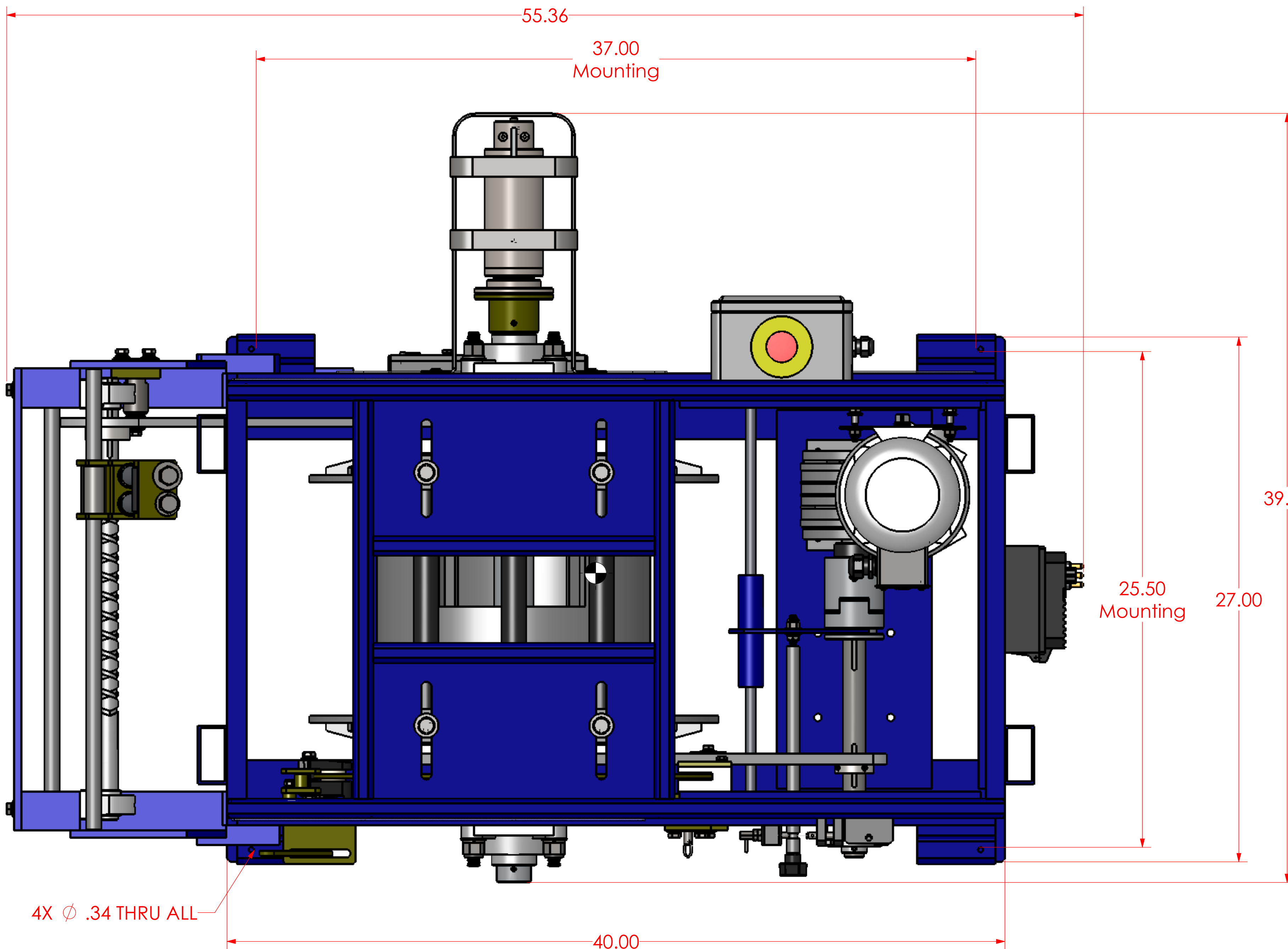
	NAME	DATE
DRAWN	Donald Lo	Jun 1, 2017
CHECKED		
ENG APPR.		
MFG APPR.		
Q.A.		
COMMENTS:		

A.G.O Environmental Electronics
 Victoria, B.C. Canada, V9A 3L4

TITLE:
**PID 02 SDW-1 ASSEMBLY
 (BACK VIEW)
 (GSE 2017)**

SIZE	DWG. NO.	REV
C	PID2-110A-GSE	

SCALE: 1:12 SHEET 5 OF 6



4X Ø .34 THRU ALL

UNLESS OTHERWISE SPECIFIED:
 DIMENSIONS ARE IN INCHES
 TOLERANCES:
 FRACTIONAL: ± 1/16
 ANGULAR: MACH ± 1° BEND ± 1°
 TWO PLACE DECIMAL: ± .01
 THREE PLACE DECIMAL: ± .001

MATERIAL:

FINISH:

DO NOT SCALE DRAWING

	NAME	DATE
DRAWN	Donald Lo	Jun 1, 2017
CHECKED		
ENG APPR.		
MFG APPR.		
Q.A.		
COMMENTS:		

A.G.O Environmental Electronics Victoria, B.C. Canada, V9A 3L4		
TITLE: PID 02 SDW-1 ASSEMBLY (TOP VIEW) (GSE 2017)		
SIZE	DWG. NO.	REV
C	PID2-110A-GSE	
SCALE: 1:12	SHEET 6 OF 6	